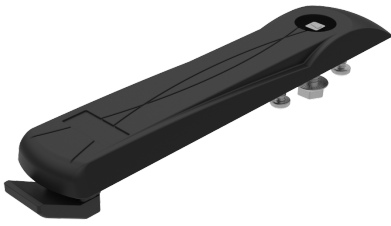


VISION ESCUTCHEON PLATE



Vision escutcheon plate is available for control mechanism (with flat rods) or available for cam with round rods. The escutcheon plate with double bit 3 or double bit 5 insert can be combined with a partially covered insert that makes the key stay attached to the escutcheon plate in the open position. This way the key may be used as handle while operating the door and can be removed again when the insert is turned to the closed position.

Available as IP65 protected with PUR-gasket and O-ring.



MATERIAL

Cam base: Zinc die cast, zinc plated
Escutcheon: Glass fibre reinforced polyamide (PA6GF30)
Insert: Zinc die cast, chrome plated or black coated
Insert extension: Zinc die cast, zinc plated
Mounting hardware: Steel, zinc plated

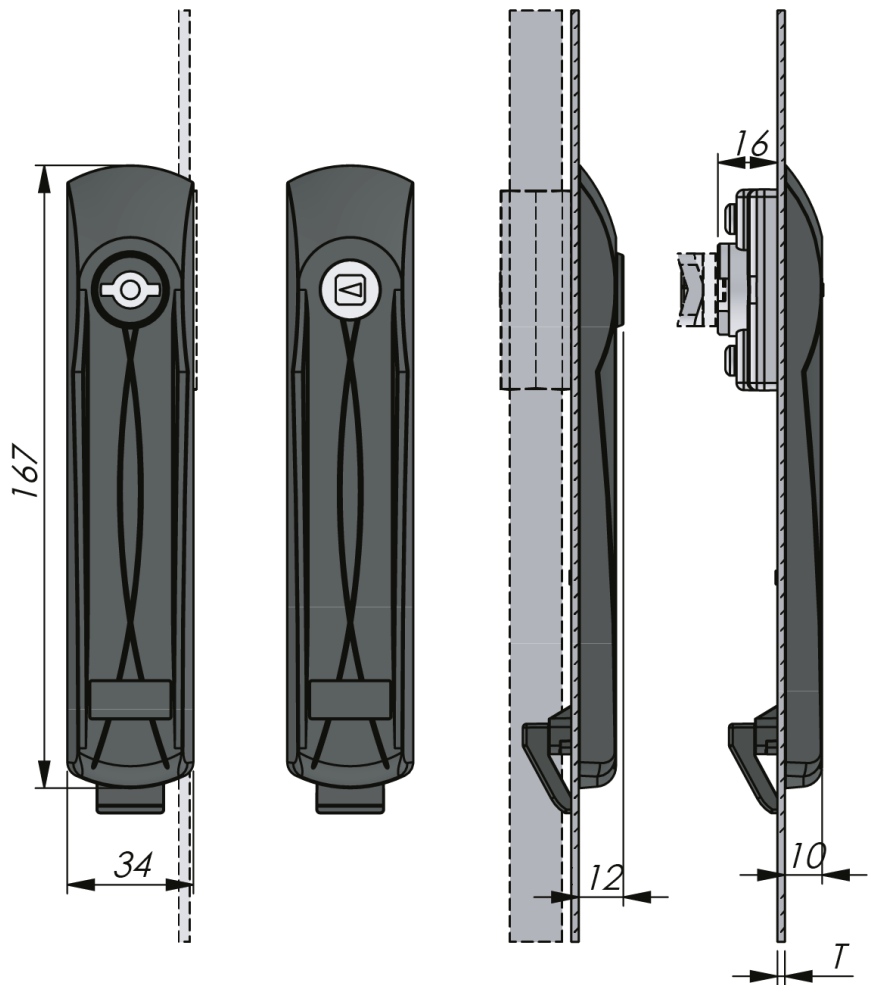
RELATED PRODUCTS

Cams: 1-008.51, 2-480
Rods: 2-540, 2-541, 2-545
Rod guides: 2-560, 2-570
Rod adapters: 2-541
 Use the Index Code at industrilas.com

TECHNICAL INFORMATION

Cutout: Version C, Version E
 The product is suitable for metal thicknesses 0,8 mm – 3,5 mm.

Standards: IP65



Make your selections in each column to create your article number (AAAA-BCDEFF)

AAAA Housing		B Material insert	C Surface treatment insert	D Protection degree	E Partially covered insert	FF Insert
1520	Control mechanism	1 Zinc	3 Chrome	0 IP54	0 No	01 Square 6
1521	90° clockwise or counter-clockwise		6 Black powder coated	1 IP65	1 Yes - key capture if combined with *	03 Square 7
1522	90° counter-clockwise					05 Square 8
1523	90° clockwise					07 Square 8 / slotted
						08 Square 8 / M6
					11 Square 8 / recessed	
					14 Triangle 7	
					15 Triangle 8	
					16 Triangle 10	
					22 Double bit 3 *	
					24 Double bit 5 *	
					26 Slotted	
					29 Slotted, recessed	
					36 Recessed hex 8/3mm pin	

Version C

