

# KEYS FOR INSERT

All key types can be produced with your company logotype on one or both sides.

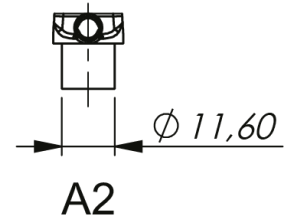
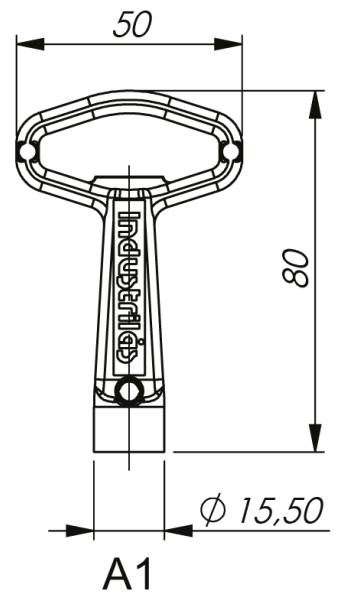
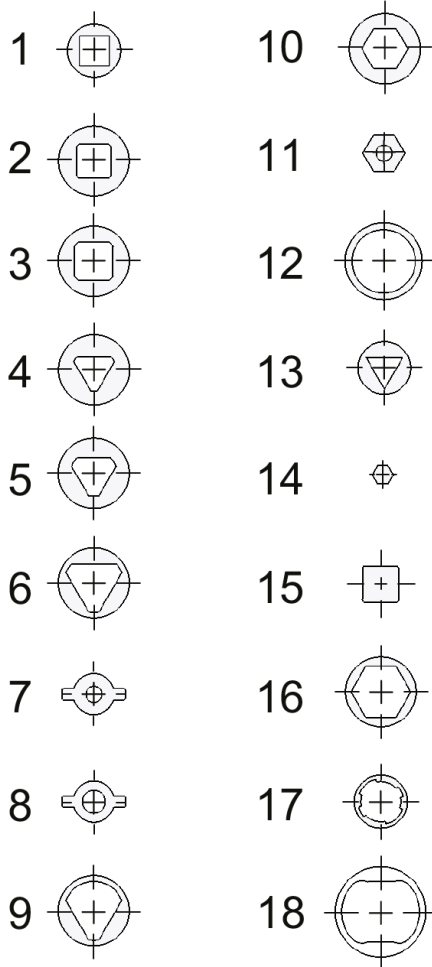


**MATERIAL**

Key: Zinc die cast, zinc plated

**TECHNICAL INFORMATION**

Other surface treatments on request.



P/N	Description	Key shape	Drawing
291101	Square 6	A2	1
291102	Square 7	A1	2
291103	Square 8	A1	3
291104	Triangle 7	A1	4
291105	Triangle 8	A1	5
291106	Triangle 10	A1	6
291107	Double Bit 3	A1	7
291108	Double Bit 5	A1	8
291122	Triangle 10 / radius	A1	9
291125	Hexagon 8.5 mm	A1	10
291136-A8	Recessed hexagon 8 / 3 mm pin	A1	11
291140	Stockholm Energy (Key length 90 mm)	A1	12
291141	Recessed square 8	A1	15
291143	Hexagon 11	A1	16
291151	Hygiene latch (Key length 90 mm)	A1	18
291156	Tubular Asymmetric	A2	17