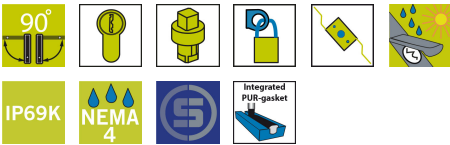


VISION SWING HANDLE STAINLESS STEEL



Low profile swing handle in acid-proof stainless steel 316 for 40 mm profile cylinder or tool operated and control mechanism. Available in turn-to-latch version where the door is locked by turning the key



MATERIAL

Handle: Stainless steel 316

RELATED PRODUCTS

Rod latch systems: 1-008.04, 1-008.21, 1-008.25, 1-008.07

Similar products: 6-020

Keys: 2-372, 2-370

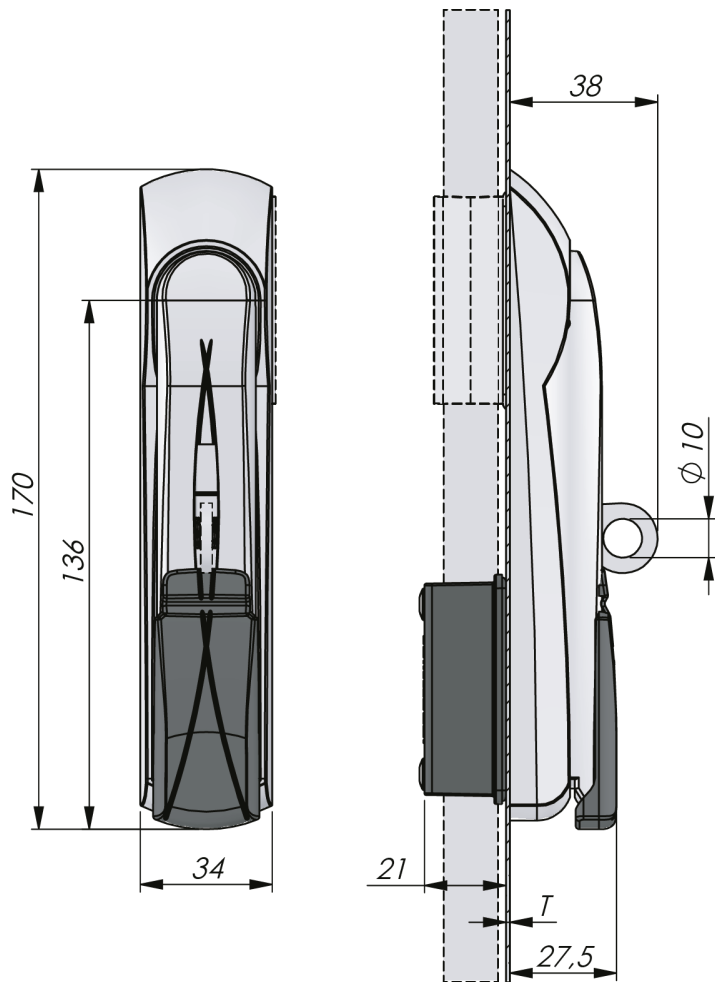
Cylinders: 1-209, 1-210

Use the Index Code at industrilas.com

TECHNICAL INFORMATION

Standards: IP69K, NEMA 4

Cutout: Version C



Make your selections in each column to create your article number (AAAAAAABC-DDDD)

AAAAAAA	Material	B Door thickness T	C PDL	DDD Insert / Cylinder	D Dust cover
1230318	SS 316	2 1,6 - 2,5 mm	0 No	C01 Hexagon 11	U No
		3 2,6 - 3,5 mm	1 Yes	C41 Recessed slot	D Yes
				C47 Recessed hexagon 8 / 3 mm pin	
				C60 Profile cylinder	

PDL = Spring loaded padlock loop retracts when handle is released.

Version C

