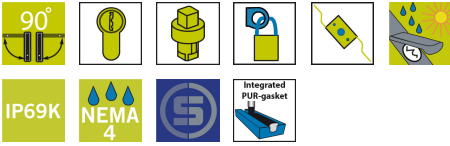


# MANIJA GIRATORIA VISION DE ACERO INOXIDABLE



Manija giratoria de perfil bajo en acero inoxidable 316 resistente a los ácidos para cilindro de perfil de 40 mm o llave-herramienta y mecanismo de control. Disponible en versión girar-para-cerrar en la que la puerta se bloquea girando la llave.



## MATERIAL

**Handle:** Zinc die cast, black coated or fibre glass reinforced polyamide (PA6GF30)

## RELATED PRODUCTS

**Rod latch systems:** 1-008.04, 1-008.21, 1-008.25, 1-008.07

**Similar products:** 6-020

**Keys:** 2-372, 2-370

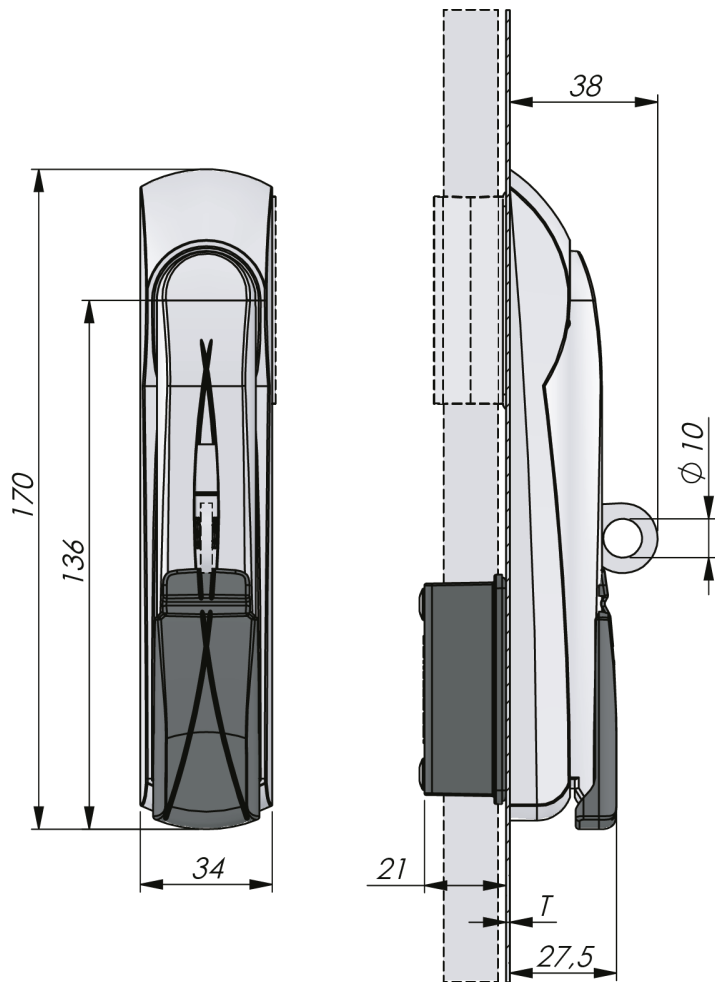
**Cylinders:** 1-209, 1-210

Use the Index Code at [industrilas.com](http://industrilas.com)

## TESTS & STANDARDS

**Classifications:** IP6K, NEMA 4

**Cutout:** Version C



**celator**

**Make your selections in each column to create your article number (AAAAAAABC-DDDD)**

AAAAAAA	Material	B Door thickness T	C PDL	DDD Insert / Cylinder	D Dust cover
1230318	SS 316	2 1,6 - 2,5 mm	0 No	C01 Hexagon 11	U No
		3 2,6 - 3,5 mm	1 Yes	C41 Recessed slot	D Yes
				C47 Recessed hexagon 8 / 3 mm pin	
				C60 Profile cylinder	

PDL = Spring loaded padlock loop retracts when handle is released.

Version C

