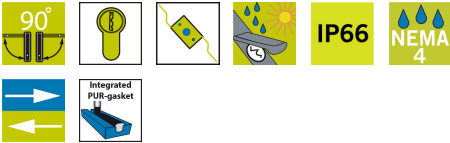


VISION SWING HANDLE RC2 FOR PROFILE CYLINDER



Low profile swing handle used for latching systems with a control mechanism and flat rods. Approved according to the anti-vandal classification RC2. Optional saw protection available for protection beyond RC2 requirements.

It is used with a 40 mm profile cylinder (ordered separately). Equipped with sliding dust cover and sealed to IP66.



MATERIAL

Dish: Zinc die cast, black coated

Handle: Zinc die cast, black coated

Pivot shaft: Stainless steel 316

Dust cover: Glass fibre reinforced polyamide (PA6GF30)

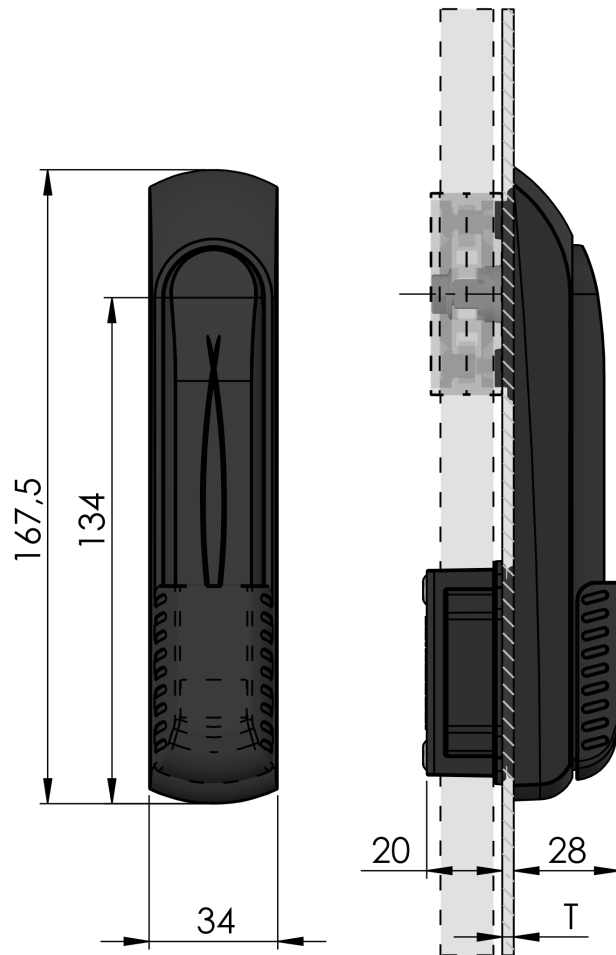
O-ring: NBR

RELATED PRODUCTS

Cylinders: 1-210, 1-211

Similar products: 1-004.14

Use the Index Code at industrilas.com



Make your selections in each column to create your article number (AAAA-BBCCDE-FF)

AAAA Type	BB Insert / Cylinder	CC Material / Surface treatment	D Protection degree	E Door thickness	FF Burglar protection
1540 Handle for control mechanism	83 For profile cylinder	16 Zinc die cast, black texture powder coated	5 IP66	1 0,8 - 1,5 mm	01 RC2 02 RC2 + saw protection
		26 Zinc die cast, black texture powder coated, Highlander		2 1,6 - 2,5 mm	
				3 2,6 - 3,5 mm	

Version C

