



CONCEALED HINGE 120° STAINLESS STEEL

Screw mounted frame part, door part mounted on weld-on studs. Universal right and left mounting. Opening angle 120°.



MATERIAL

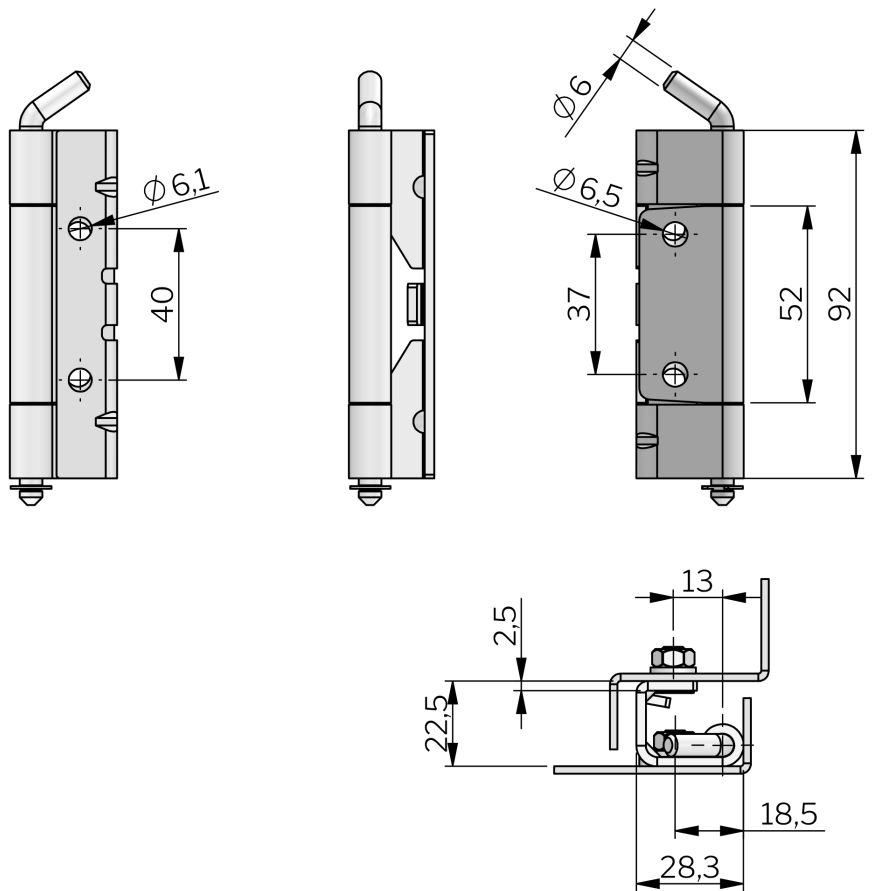
Hinge: Stainless steel 304

Pin: Stainless steel 304

RELATED PRODUCTS

Similar products: 3-094, 3-095, 3-096, 3-090, 3-091

Use the Index Code at industrilas.com



celator

P/N	Description
313019	Concealed hinge stainless steel 304