

# VECTOR T3 HANDLE



Flush compression Vector 3 T-handle with 4 mm compression stroke. Sealed to IP65 against water and dust. Four blind-mount studs and PUR-gasket ensure waterproof assembly.

Available with fixed or adjustable roller cams, as well as 1-, 2- and 3-point latching options. Vector T3 comes in zinc or stainless steel. The zinc version offers a handle with the turning pivot shaft in zinc with a cast-in-steel shaft for excellent strength. The stainless steel version with T-handle and pivot shaft in bright polished stainless steel is recommended for applications used in tough environments. Available with or without the turnable dust cover.



## MATERIAL

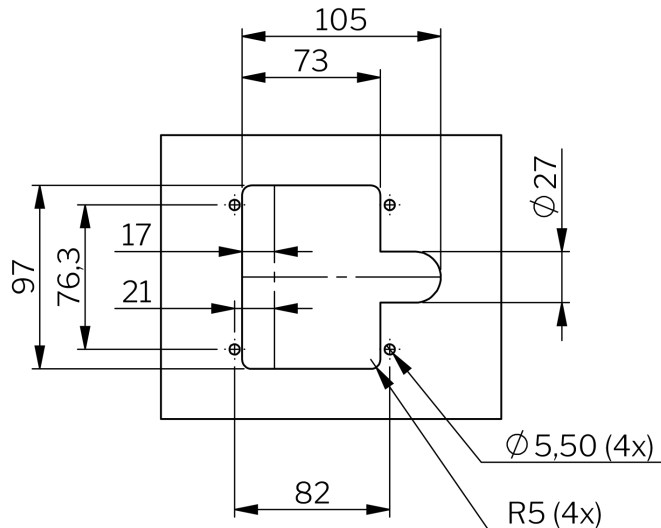
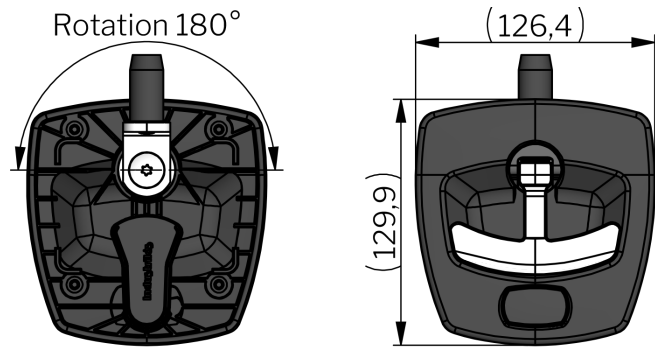
- Adjustable cam:** Zinc die cast, passivated
- Body:** Glass fibre reinforced polyamide (PA6GF30)
- Cast-in bolts:** Steel, black passivated
- Cylinder:** Zinc die cast, stainless steel 304 cap and dust shutter
- Dust cover, black:** Glass fibre reinforced polyamide (PA6GF30)
- Handle:** Stainless steel 304, polished or zinc die cast, black texture powder coated
- Roller:** Glass fibre reinforced polyamide (PA6GF30)
- Rotating locking device:** Stainless steel 303
- Shaft:** Stainless steel 303

## RELATED PRODUCTS

- Similar products:** 2-800, 2-810, 2-820, 2-811
  - Rods:** 2-540, 2-541
  - Rod guides:** 2-560, 2-570
  - Rod adapters:** 2-541
  - Accessories:** 2-412
- Use the Index Code at [industrilas.com](http://industrilas.com)

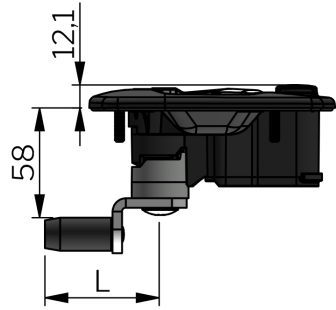
## TECHNICAL INFORMATION

Maximum tightening torque 2,2 Nm.

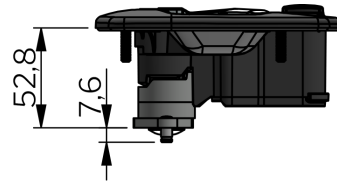


**Make your selections in each column to create your article number (AAAA-BCCDEFG-HH)**

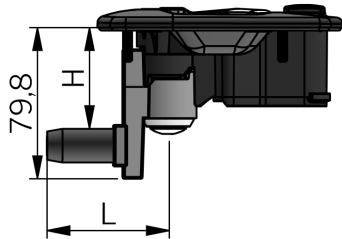
AAAA Type	B Type	CC Cylinder	Material DD handle / Handle shaft	E Door thickness	F Dust cover	G Opening rotation	HH Cam	H= L=
2752 Vector 3	1 Mechanical	02 Keyed to differ	23 Zinc / Steel Chrome	1 Max 10 mm	0 No 1 Yes	0 180°	01 Fixed roller cam	58 61
		06 Keyed alike 751				26 Zinc / Steel Black	1 90° clockwise	02 Two-point cam
		68 Keyed alike 805	36 SS304 / SS303 Black			2 90° counter-clockwise	03 Fixed three-point roller cam	66 85
		69 Keyed alike 810	39 SS304 / SS303 Polished				04 Adjustable three-point roller cam	10-61 60
		70 Keyed alike 815					05 Adjustable single point roller cam	10-61 61
		71 Keyed alike 820						
		72 Keyed alike 825						
		73 Keyed alike 830						
		74 Keyed alike 835						
		75 Keyed alike 840						
		76 Keyed alike 845						
		77 Keyed alike 850						
		80 Keyed alike 455						



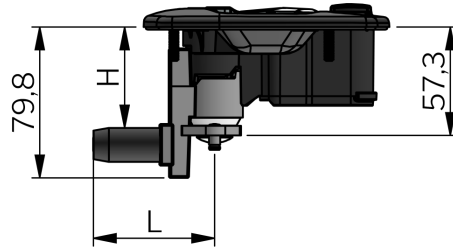
Fixed 1- point cam



Fixed 2- point cam



Adjustable 1- point cam



Adjustable 3 - point cam