

ROUND ROD WITH LOOP 25 MM (R-L) STEEL



Round $\varnothing 8$ mm rod with 25 mm roller, for handles and latches with multi-point cams. The length L in the drawing is the total length from the centre of the hole at flat end, to the end of the roller. Rod model R is used with a rod adapter (to be ordered separately). The adapter adds 14 mm to the total length (see drawing).

This product is delivered in custom lengths and is available on request only.



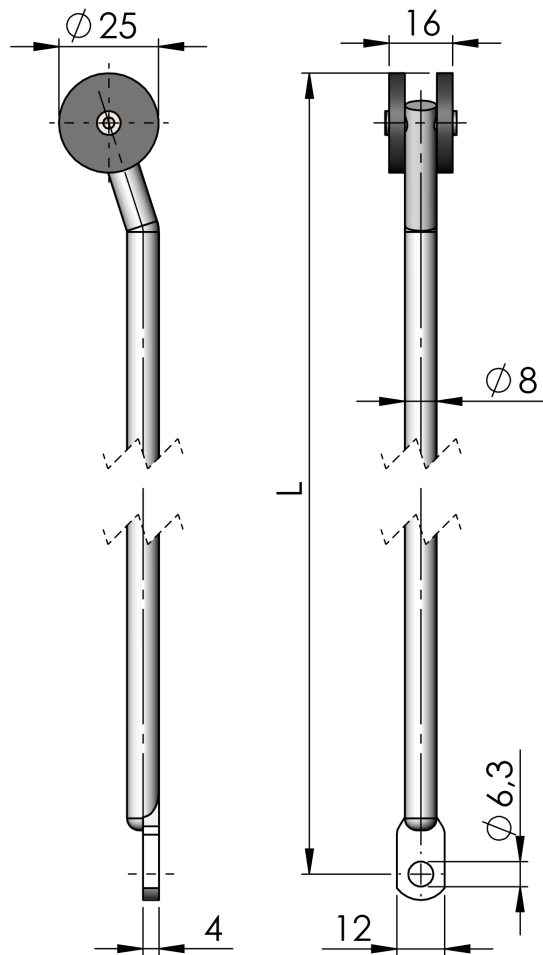
MATERIAL

Adapter: Zinc die cast, zinc plated

Rivet: Steel, zinc plated

Rod: Steel, zinc plated

Roller: Glass fibre reinforced polyamide (PA6GF30)



P/N	Material	Length in mm	Type
282160-LLLL	Steel	LLLL=Custom length in mm	Rod R-L