

# ROUND RODS WITH LOOP 25 MM ROLLERS (R-L) SS 304



Round  $\varnothing 8$  mm rod with 25 mm roller, for handles and latches with multi-point cams. The length L in the drawing is the total length from the centre of the hole at flat end, to the end of the roller. Rod model R is used with a rod adapter (to be ordered separately). The adapter adds 14 mm to the total length (see drawing).

This product is delivered in custom lengths and is available on request only.



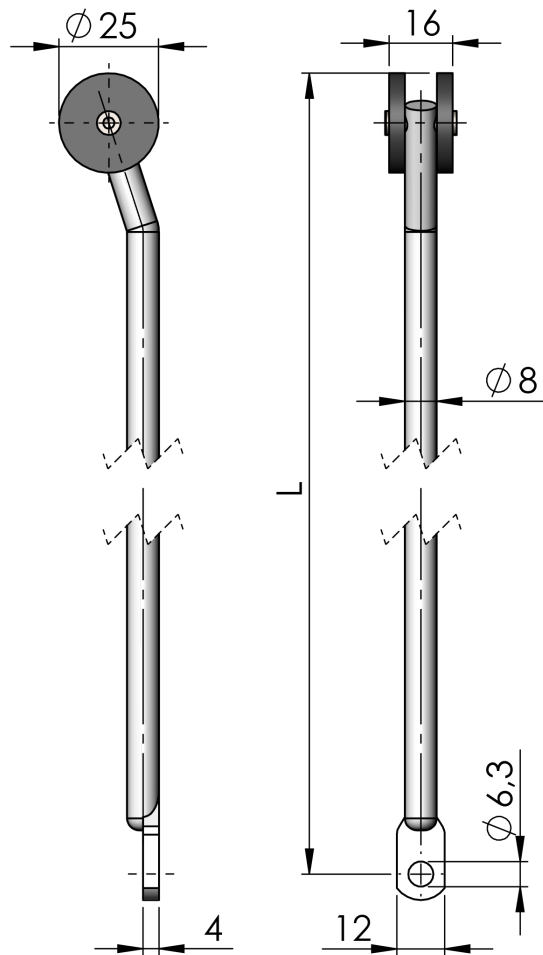
**MATERIAL**

**Adapter:** Stainless steel 304

**Rivet:** Stainless steel 304

**Rod:** Stainless steel 304

**Roller:** Glass fibre reinforced polyamide (PA6GF30)



P/N	Material	Length in mm	Type
283060-LLLL	Stainless steel 304	LLLL=Custom length in mm	Rod R-L