

ROUND RODS FOR ADAPTERS 15 MM ROLLERS (R) SS 304



Round $\varnothing 8$ mm rod with 15 mm roller, for handles and latches with multi-point cams. The length L in the drawing is the total length from the flat end to the end of the roller. Rod model R is used with a rod adapter (to be ordered separately). The adapter adds 14 mm to the total length (see drawing).

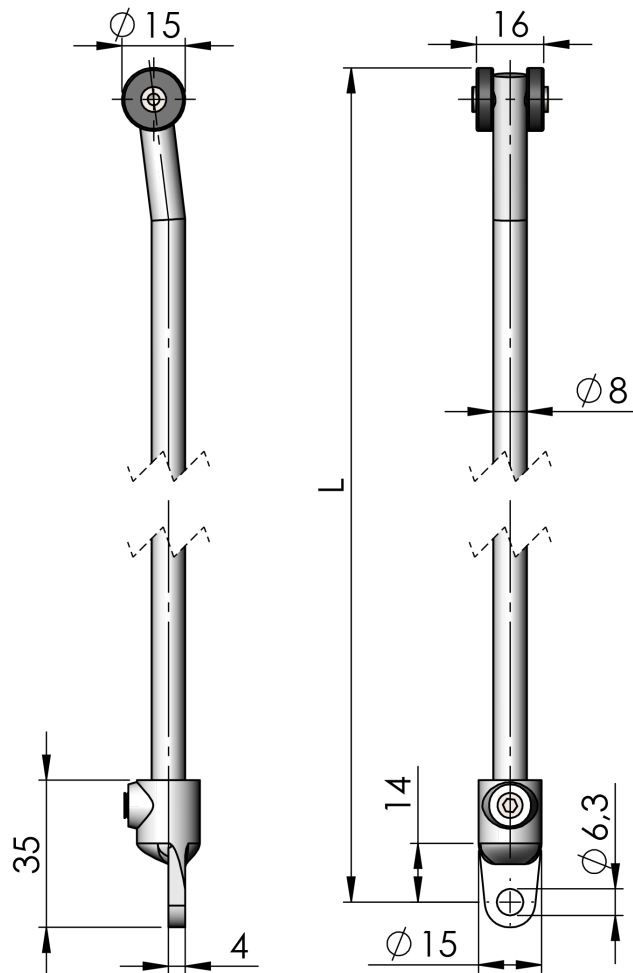


MATERIAL

Rivet: Stainless steel 304
Rod: Stainless steel 304
Roller: Glass fibre reinforced polyamide (PA6GF30)

RELATED PRODUCTS

Cams: 2-490, 2-491, 2-500b, 2-510
Other materials: 2-541
Rod guides: 2-560, 2-570
Rod adapters: 2-541
 Use the Index Code at industrilas.com



P/N	Material	Length in mm	Type
283011	Stainless steel 304	L=400 mm	Rod R
283012	Stainless steel 304	L=500 mm	Rod R
283013	Stainless steel 304	L=600 mm	Rod R
283014	Stainless steel 304	L=800 mm	Rod R
283015	Stainless steel 304	L=900 mm	Rod R
283016	Stainless steel 304	L=1000 mm	Rod R
283017	Stainless steel 304	L=1100 mm	Rod R
283018	Stainless steel 304	L=1200 mm	Rod R
283021	Stainless steel 304	L=700 mm	Rod R