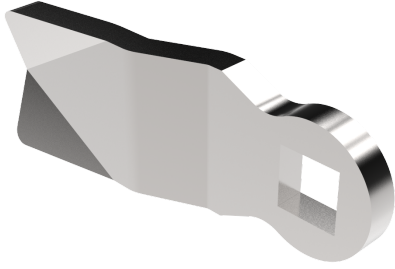


SINGLE-POINT CAMS SS 316



Single-point cams for use with housings with internal limitation of rotation.

In the drawing, C = housing length, H = outside face to engagement point of cam.

Other lengths and versions available on request.



MATERIAL

Cam: Stainless steel 316

RELATED PRODUCTS

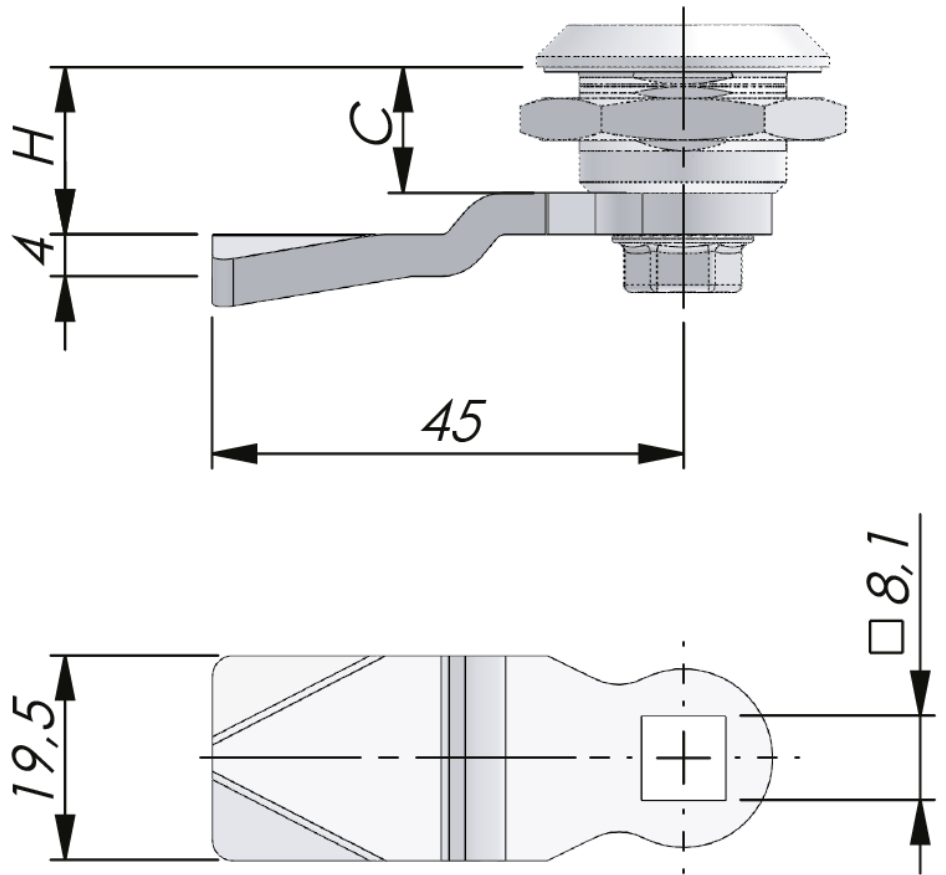
Other materials: 2-481

Protective cap: 2-480

Use the Index Code at industrilas.com

TECHNICAL INFORMATION

H in mm when housing length C=12, 18, 30, 35, 45 or 56 mm.



CELATOR.COM.MX

| P/N | Description | C=12 | C=18 | C=30 | C=35 | C=45 | C=56 |
|----------|--------------|------|------|------|------|------|------|
| 239001-U | --- | - | 4 | 16 | 21 | 31 | 42 |
| 239002-U | --- | - | 6 | 18 | 23 | 33 | 44 |
| 239003-U | --- | 2 | 8 | 20 | 25 | 35 | 46 |
| 239004-U | --- | 4 | 10 | 22 | 27 | 37 | 48 |
| 239005-U | --- | 6 | 12 | 24 | 29 | 39 | 50 |
| 239007-U | --- | 8 | 14 | 26 | 31 | 41 | 52 |
| 239008-U | --- | 10 | 16 | 28 | 33 | 43 | 54 |
| 239009-U | Straight cam | 12 | 18 | 30 | 35 | 45 | 56 |
| 239010-U | --- | 14 | 20 | 32 | 37 | 47 | 58 |
| 239011-U | --- | 16 | 22 | 34 | 39 | 49 | 60 |
| 239012-U | --- | 18 | 24 | 36 | 41 | 51 | 62 |
| 239014-U | --- | 20 | 26 | 38 | 43 | 53 | 64 |
| 239015-U | --- | 22 | 28 | 40 | 45 | 55 | 66 |
| 239016-U | --- | 24 | 30 | 42 | 47 | 57 | 68 |
| 239017-U | --- | 26 | 32 | 44 | 49 | 59 | 70 |
| 239018-U | --- | 28 | 34 | 46 | 51 | 61 | 72 |
| 239020-U | --- | 30 | 36 | 48 | 53 | 63 | 74 |
| 239021-U | --- | 32 | 38 | 50 | 55 | 65 | 76 |
| 239022-U | --- | 34 | 40 | 52 | 57 | 67 | 78 |
| 239023-U | --- | 36 | 42 | 54 | 59 | 69 | 80 |
| 239024-U | --- | 38 | 44 | 56 | 61 | 71 | 82 |
| 239027-U | --- | 44 | 50 | 62 | 67 | 77 | 88 |
| 239031-U | --- | 40 | 46 | 58 | 63 | 73 | 84 |
| 239072-U | --- | 42 | 48 | 60 | 65 | 75 | 86 |

H in mm when housing length C=12, 18, 30, 35, 45 or 56 mm.