



KLIMA-FLEX 1 LATCH UNIT IN SWING DOOR

Industrilas Klim-flex™ latching unit for doors that opens inwards for HVAC-applications. Mounted with screws or rivets.

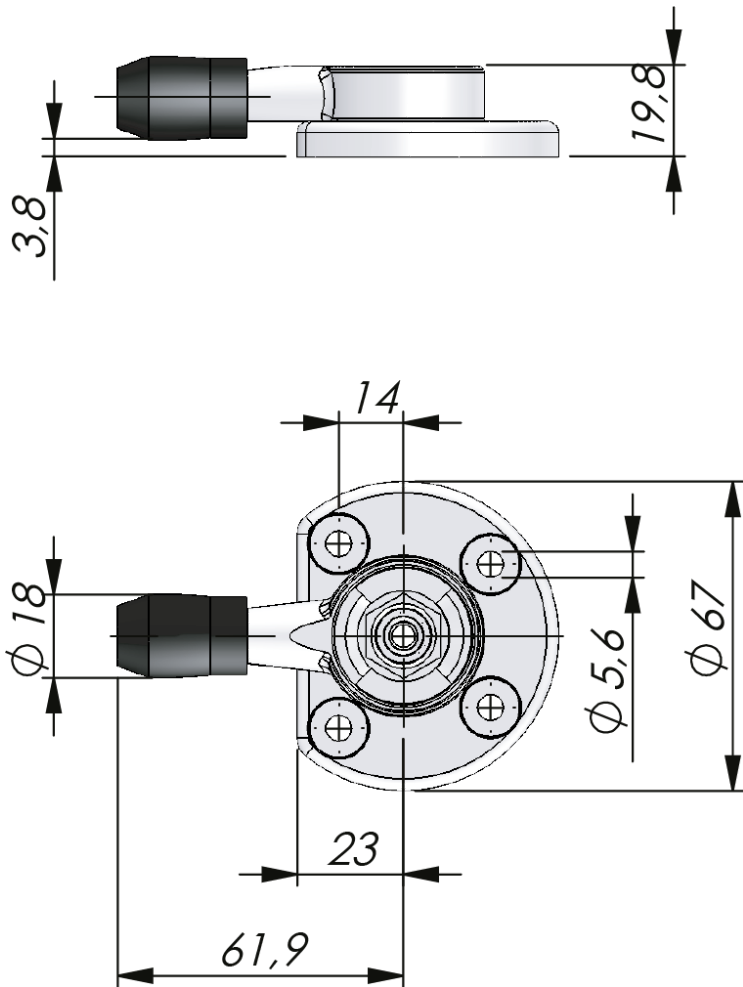


MATERIAL

Base plate: Zinc die cast, zinc plated
Cam: Zinc die cast, zinc plated
Roller: Glass fibre reinforced polyamide (PA6GF30)

RELATED PRODUCTS

Handles: 2-310ab, 2-310c
 Use the Index Code at industrilas.com



P/N	Description
265078-D02	For inswing doors