

# KLIMA-FLEX 2 ROD LINK



Rod link for Klima-flex 2. In the Klima-flex 2 system you can combine a safety catch, rod link and/or inside security handle with the inside roller cam.

With the use of rod links and interlink rods (Index Code 2-313a), you can also connect latching points to other latching points, allowing you to operate several latching points with one handle.



**MATERIAL**

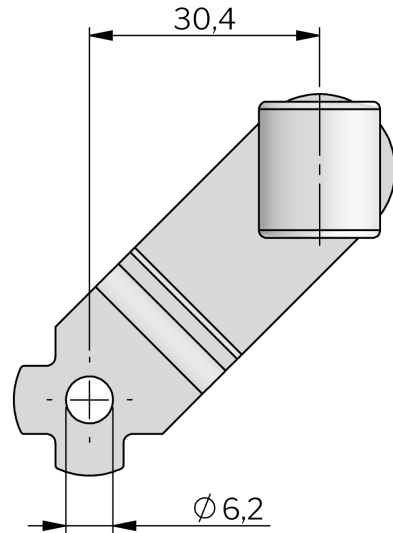
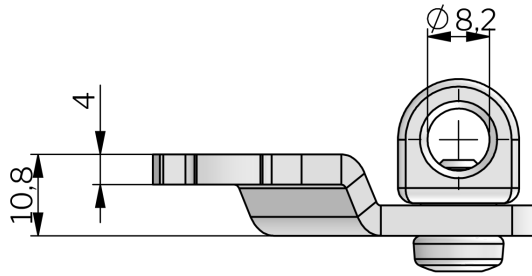
**Rod link:** Steel, zinc plated  
**Rod connection:** Zinc die cast, zinc plated  
**Screw:** Steel, zinc plated

**RELATED PRODUCTS**

**Interlink rods:** 2-313a  
**Inside options:** 2-315c  
 Use the Index Code at [industrilas.com](http://industrilas.com)

**TECHNICAL INFORMATION**

**Standards:** VDI 6022



P/N	Description
2651-902001	Rod link Klima-flex 2