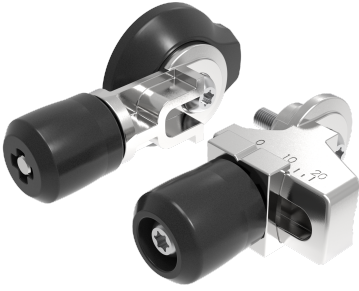


KLIMA-FLEX 2 ROLLER CAM



The Klima-flex 2 Roller Cam reduces operational friction and increase the gasket compression. It is adjustable with a Torx-bit (T-30) and you can therefore set it according to your requirements, to ensure the door closes smoothly and is securely shut.

If you desire, you can connect several roller cams to be operated by one handle.



MATERIAL

Roller cam: Zinc die cast, zinc plated, steel, zinc plated and glass fibre reinforced Polyamide (PA6GF30), black

RELATED PRODUCTS

Interlink rods: 2-313a

Cams: 2-315c

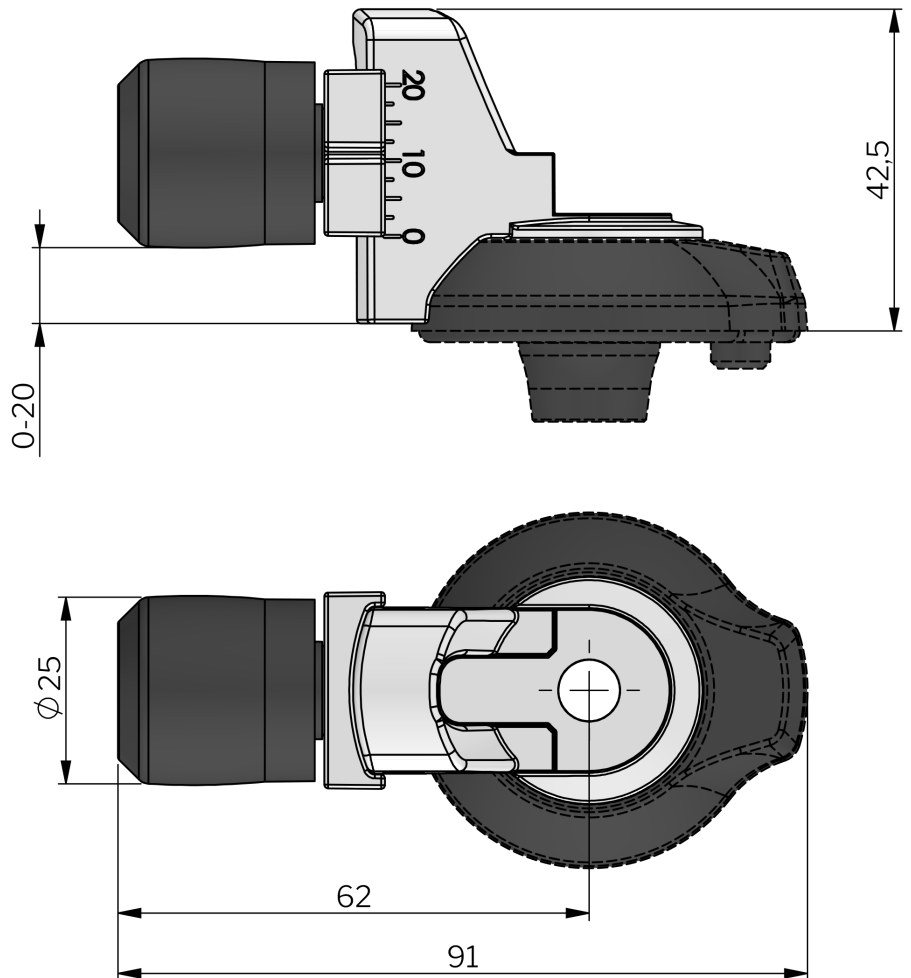
Needed components for a complete system: 2-315c, 2-315d

Rod links: 2-315f

Use the Index Code at industrilas.com

TECHNICAL INFORMATION

Standards: VDI 6022



P/N	Description
2651-305125-0062	Adjustable roller cam
2651-355125-0162	Fixed roller cam

