

MANIJA KLIMA-FLEX 1 RESISTENTE AL ÁCIDO



Manija Industrilas Klim-flex™ 1 fabricada en acero inoxidable 316 resistente a ácidos. Se adapta a todas las unidades de cierre de la serie Klima-flex 1.



MATERIAL

Handle: Zinc die cast, black coated or fibre glass reinforced polyamide (PA6GF30)

RELATED PRODUCTS

Latching units: 2-311ab, 2-311cd, 2-316a, 2-316b

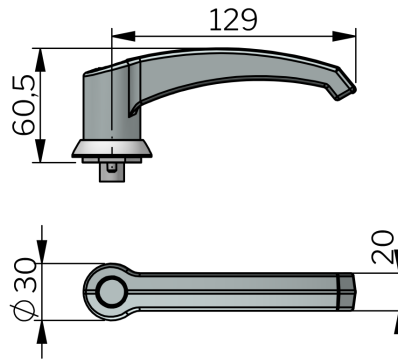
Safety catches: 2-314

Needed components for a complete system: 2-311ef

Use the Index Code at industrilas.com

TESTS & STANDARDS

Classifications: VDI 6022



celator

P/N	Description
269076-00	Non-locking K1 handle, stainless steel 316