

CONCEALED HINGE 120°

Hinge with screw mounted frame part and the door part is mounted on weld-on studs. Universal right and left mounting. Opening angle 120°.



MATERIAL

E-clip: Steel, zinc plated

Hinge: Steel, zinc plated

Pin: Steel, zinc plated

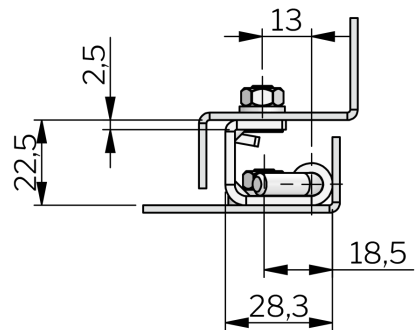
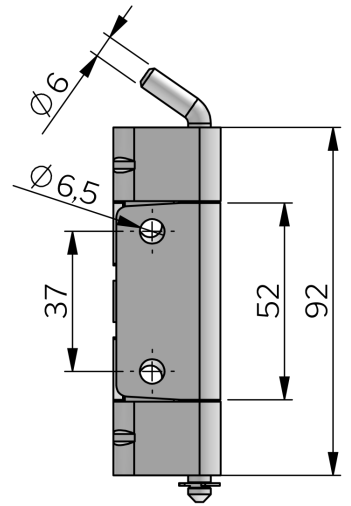
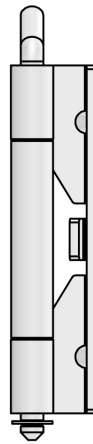
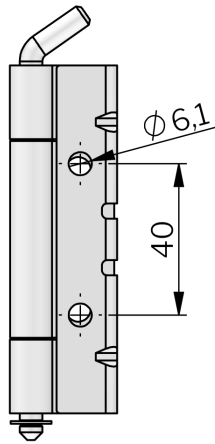
RELATED PRODUCTS

Similar products: 3-090, 3-096, 3-091, 3-094, 3-095

Use the Index Code at industrilas.com

TECHNICAL INFORMATION

Supplied with E-clip.



P/N	Description
312119	Concealed hinge