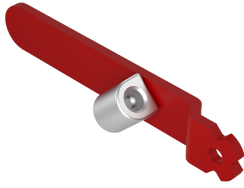


KLIMA-FLEX 2 INSIDE HANDLES



Inside handle for Klima-flex 2. When it is used as an emergency handle it should only be combined with non-lockable outside handles.

In the Klima-flex 2 system you can combine a safety catch, rod link and/or inside security handle with the inside roller cam.

If you desire, the Klima-flex 2 system allows you to use a regular inside handle (Index Code 2-315d).

MATERIAL

Handle: Steel, red powder coated

Rod link: Zinc die cast, zinc plated

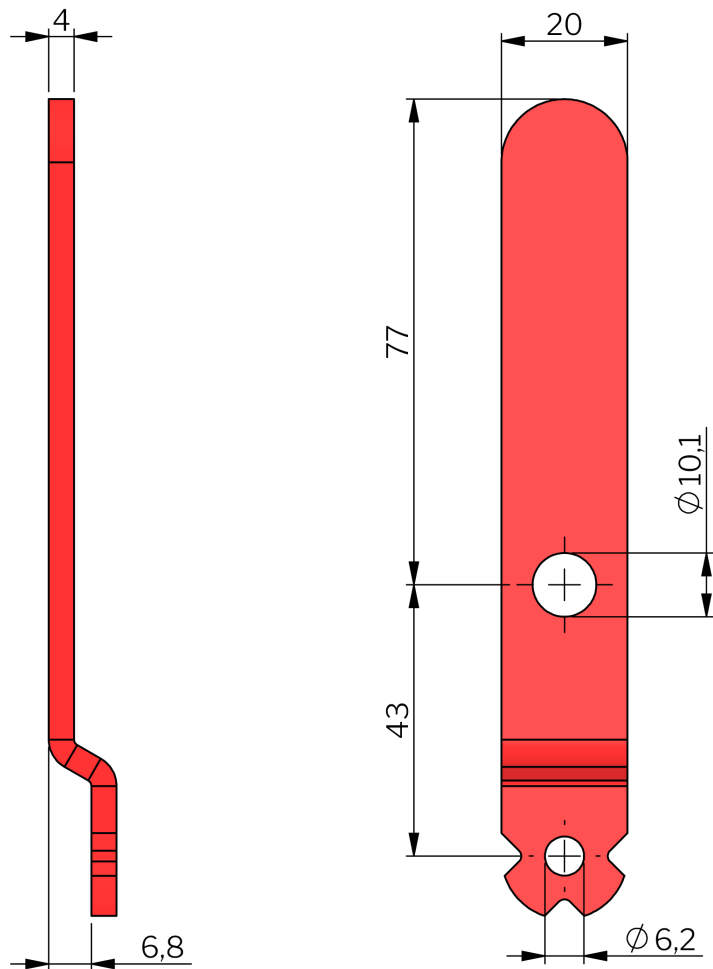
RELATED PRODUCTS

Interlink rods: 2-313a

Inside options: 2-315c

Rod links: 2-315f

Use the Index Code at industrilas.com



P/N	Description
2651-903000	Inside security handle without rod link
2651-903001	Inside security handle with rod link

celator