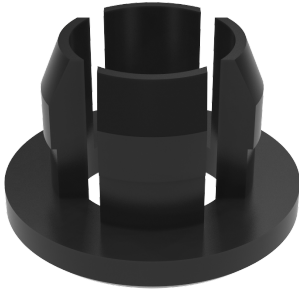


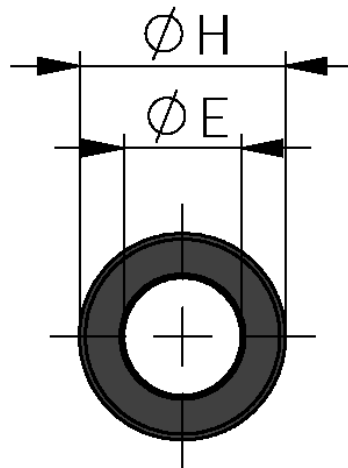
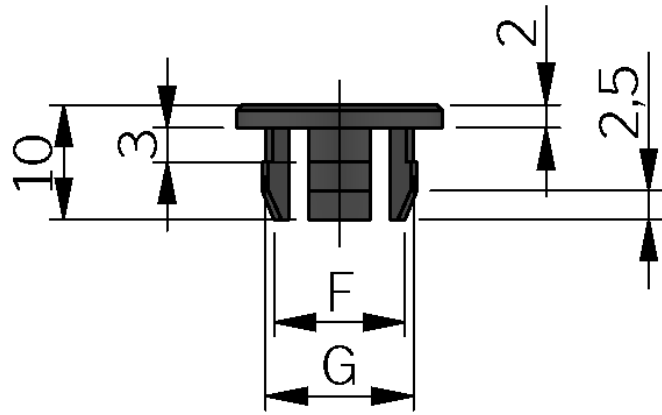
BUSHINGS FOR ROUND RODS



Polyamide bushing for low friction and silent movement of the rod. Can be mounted in the frame part of a cabinet.

MATERIAL

Bushing: Glass fibre reinforced polyamide (PA6GF30)



P/N	Description	Cutout	E	F	G	H
28212302	Bushing for Ø 8 mm rod	Ø 11 mm	8,4	9,5	11	16
28212502	Bushing for Ø 10 mm rod	Ø 13 mm	10,3	11,5	12,9	18