

# ROUND RODS FOR ADAPTERS 25 MM ROLLERS (R) STEEL



Round  $\varnothing 8$  mm rod with 25 mm roller, for handles and latches with multi-point cams. The length L in the drawing is the total length from the centre of the hole at flat end, to the end of the roller. Rod model R is used with a rod adapter (to be ordered separately). The adapter adds 14 mm to the total length (see drawing).

This product is delivered in custom lengths and is available on request only.



**MATERIAL**

**Rivet:** Steel, zinc plated

**Rod:** Steel, zinc plated

**Roller:** Glass fibre reinforced polyamide (PA6GF30)

**RELATED PRODUCTS**

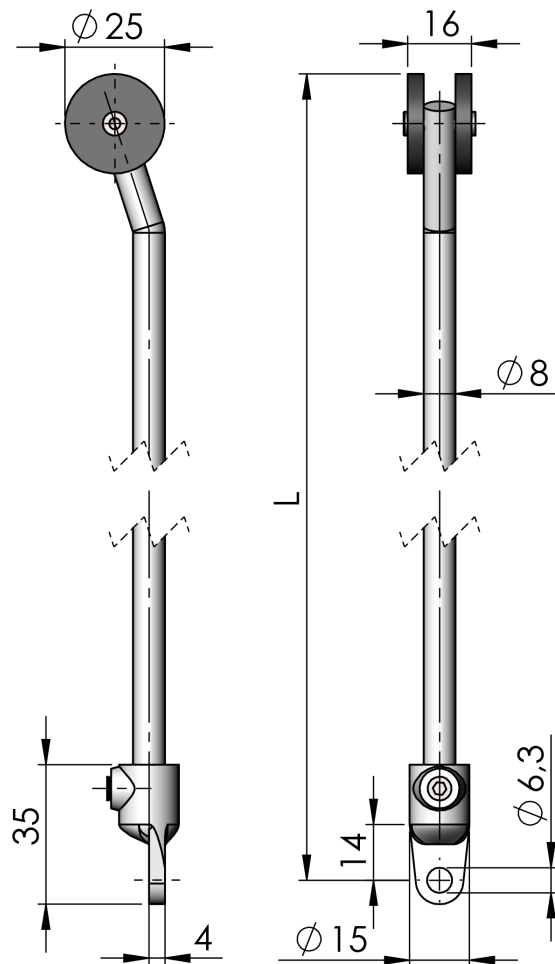
**Cams:** 2-490, 2-491, 2-500b, 2-510

**Rod guides:** 2-560, 2-570

**Rod adapters:** 2-541

**Other materials:** 2-545

Use the Index Code at [industrilas.com](http://industrilas.com)



| P/N    | Material | Length in mm | Type  |
|--------|----------|--------------|-------|
| 282151 | Steel    | L=400 mm     | Rod R |
| 282152 | Steel    | L=500 mm     | Rod R |
| 282153 | Steel    | L=600 mm     | Rod R |
| 282154 | Steel    | L=800 mm     | Rod R |
| 282155 | Steel    | L=900 mm     | Rod R |
| 282156 | Steel    | L=1000 mm    | Rod R |
| 282157 | Steel    | L=1100 mm    | Rod R |
| 282158 | Steel    | L=1200 mm    | Rod R |
| 282161 | Steel    | L=700 mm     | Rod R |