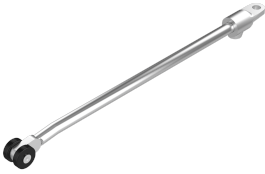


# ROUND RODS FOR ADAPTERS 15 MM ROLLERS (R) STEEL



Round  $\varnothing 8$  mm rod with 15 mm roller, for handles and latches with multi-point cams. The length L in the drawing is the total length from the flat end to the end of the roller. Rod model R is used with a rod adapter (to be ordered separately). The adapter adds 14 mm to the total length (see drawing).

This product is delivered in custom lengths and is available on request only.



**MATERIAL**

**Rivet:** Steel, zinc plated

**Rod:** Steel, zinc plated

**Roller:** Glass fibre reinforced polyamide (PA6GF30)

**RELATED PRODUCTS**

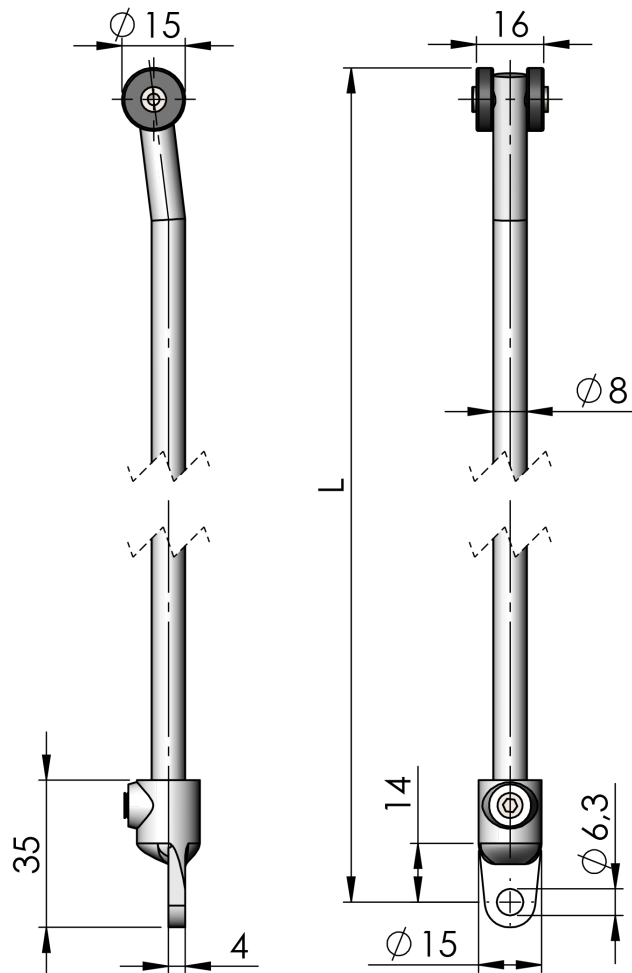
**Cams:** 2-490, 2-491, 2-500b, 2-510

**Rod guides:** 2-560, 2-570

**Rod adapters:** 2-541

**Other materials:** 2-541

Use the Index Code at [industrilas.com](http://industrilas.com)



P/N	Material	Length in mm	Type
282111	Steel	L=400 mm	Rod R
282112	Steel	L=500 mm	Rod R
282113	Steel	L=600 mm	Rod R
282114	Steel	L=800 mm	Rod R
282115	Steel	L=900 mm	Rod R
282116	Steel	L=1000 mm	Rod R
282117	Steel	L=1100 mm	Rod R
282118	Steel	L=1200 mm	Rod R
282121	Steel	L=700 mm	Rod R