

MULTI-POINT CAMS FOR ROD SYSTEMS



Two- and four-point cams for rod systems. Supplied with E-clips.



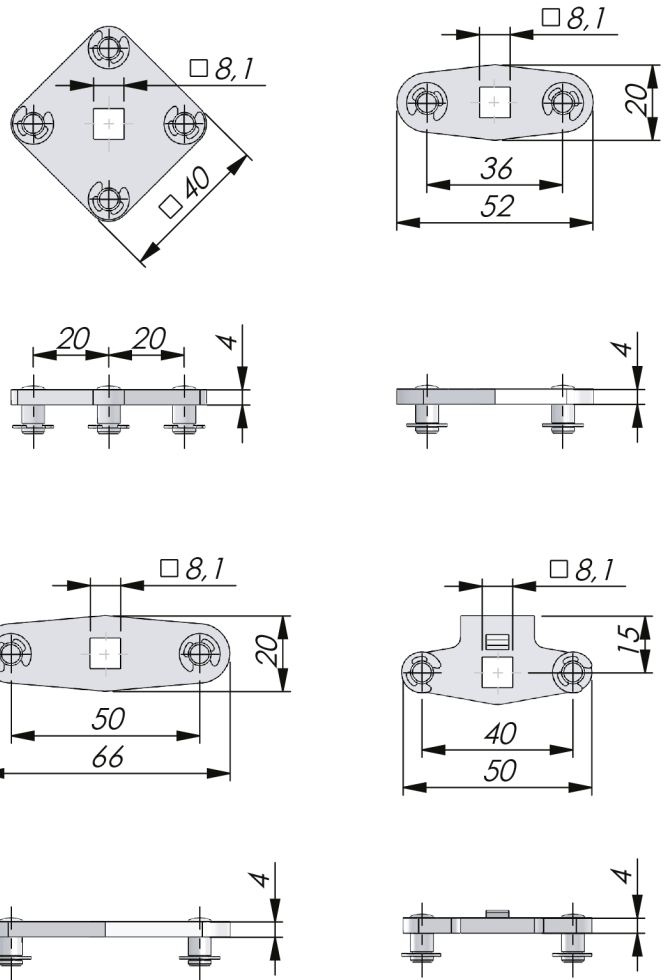
MATERIAL

Cam: Steel, zinc plated or stainless steel 304

RELATED PRODUCTS

Rods: 2-540, 2-541, 2-545

Use the Index Code at industrilas.com



P/N	Description	Material	Projection	Stroke	Drawing
2321S09-004U	Four-point cam	Steel	No	20	A
2321S09-00M	Two-point cam	Steel	Yes	20	D
2321S09-00U	Two-point cam	Steel	No	20	D
2321S09-00U-36	Two-point cam	Steel	No	18	B
2321S09-00U-50	Two-point cam	Steel	No	25	C
2330S09-00M	Two-point cam	Stainless steel 304	Yes	20	D
2330S09-00U	Two-point cam	Stainless steel 304	No	20	D