

KEYS FOR INSERT



Provided with slot for a key ring. The key can be produced with your company logotype upon request.

Key shape A: Used with standard quarter-turn latches.

Key shape B: May be used with either standard or compact quarter-turn latches.



MATERIAL

Key: Glass fibre reinforced polyamide (PA6GF30), black

RELATED PRODUCTS

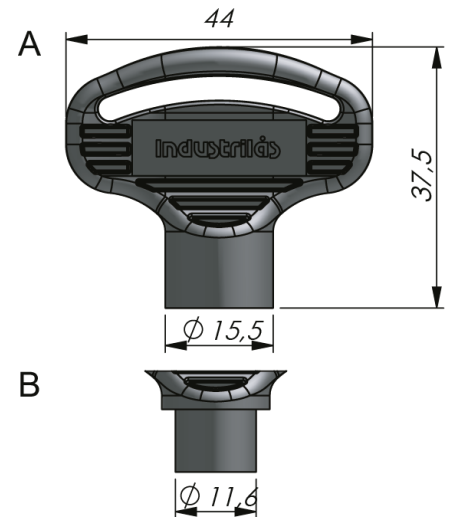
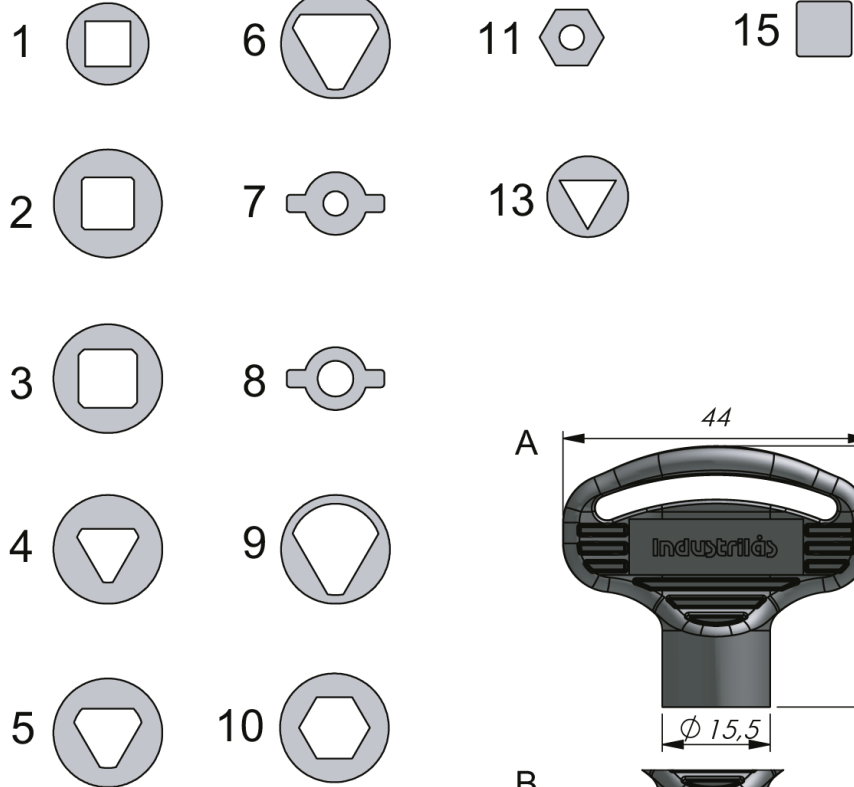
Needed components for a complete system:

2-070

Use the Index Code at industrilas.com

TECHNICAL INFORMATION

Other colours on request.



P/N	For insert	Shape	Drawing
29501001	Square 6	B	1
29501002	Square 7	B	2
29501003	Square 8	B	3
29501004	Triangle 6,5	B	13
29501005	Triangle 7	A	4
29501006	Triangle 8	A	5
29501007	Triangle 10	A	6
29501008	Double bit 3	A	7
29501009	Double bit 5	A	10
29501010	Hexagon 8,5	A	10
29501011	Triangle 10 / radius	A	9
29501012	Recessed hexagon 8/3 mm pin	B	11
29501013	Recessed square 8	A	15