



DEFEATER HANDLE STANDARD

Padlockable def eater handle equipped with a built-in spring-loaded insert, providing a def eater function that is compliant with two-handed safety operations requirements. To operate the handle, turn the insert, push the padlock loop, and turn the handle.

The cast-in threaded steel shaft allows simple cam adjustment. Removable stop for clockwise or counterclockwise operation. Supplied with nut, screws and gasket. Protection degree IP65 and waterproof according to NEMA 4.



MATERIAL

Padlock loop: Zinc die cast, chrome plated

Cast-in shaft: Hardened steel, zinc plated

Nut: Zinc die cast, zinc plated

Handle: Zinc die cast, black texture powder coated

Insert: Zinc die cast, chrome plated

Screw: Steel, zinc plated

RELATED PRODUCTS

Keys: 2-372, 2-370

Rod guides: 2-560, 2-570

Rod adapters: 2-541

Other materials: 6-210

Cams: 2-481, 2-491

Rods: 2-540, 2-541, 2-545

Use the Index Code at industriilas.com

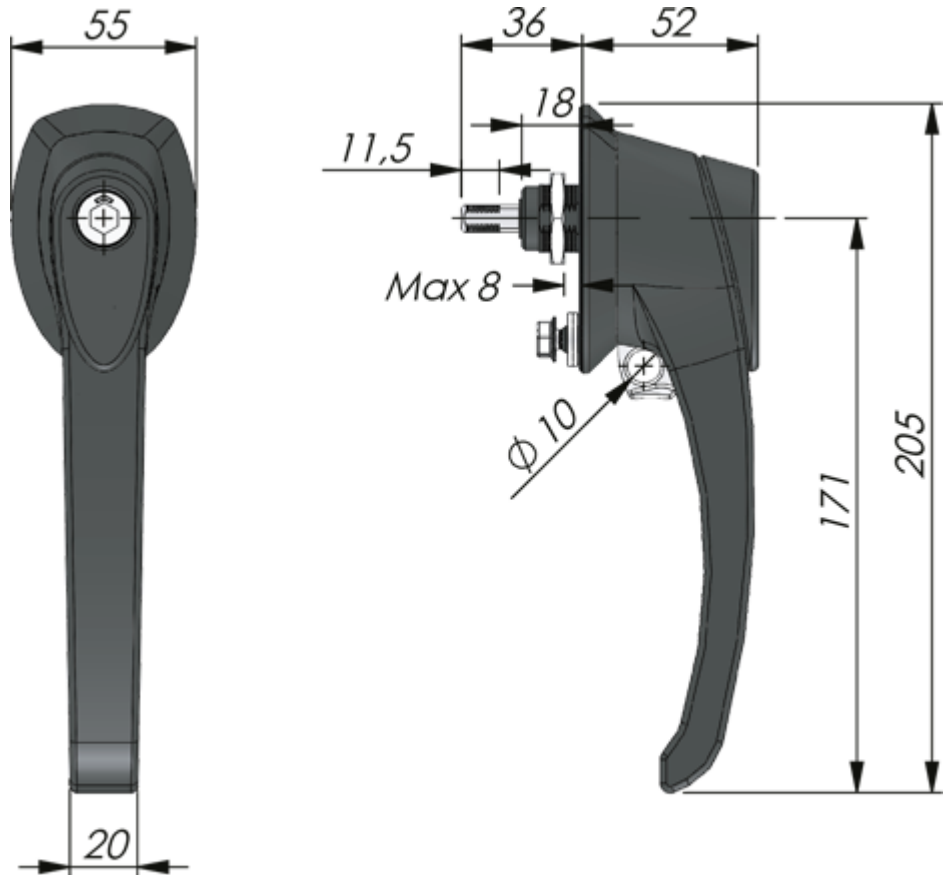
TECHNICAL INFORMATION

Standards: IP65, NEMA 4

Cutout: Combi style with an additional $\varnothing 8.5$ mm hole

Cylinder information: Supplied with two keys

Key extraction: Closed



celator

P/N	Insert
261621-01	Hexagon 11
261621-07	Square 6
261621-08	Square 7
261621-09	Square 8
261621-10	Square 8 / slotted
261621-11	Square 8 / M6
261621-12	Triangle 7
261621-13	Triangle 8
261621-14	Triangle 10
261621-15	Triangle 10 / M6
261621-16	Double Bit 3
261621-17	Double Bit 5
261621-18	Daimler Benz
261621-19	Triangle 10 / SEN
261621-20	Slotted
261621-21	Recessed hexagon 10
261621-22	Recessed hexagon 8
261621-23	Hexagon 8,5
261621-24	ES3
261621-28	Triangle 10 / M5
261621-41	Slotted recessed
261621-47	Recessed hexagon 8 / 3 mm pin
261621-48	Recessed square 8
261621-49	Slotted 3 mm
261622-10	Cylinder lock keyed alike (IL101) *
261622-20	Cylinder lock keyed to differ *
261623	Solid plug. No defeater - only padlock trigger

Products marked with * are key-locking and are supplied with two keys.

