



KLIMA-FLEX 1 SURFACE MOUNTED LATCH UNIT

Klima-flex 1 Latch Unit for doors that are opened outwards.

The latching unit is supplied with or without an adjustable, surface mounted striker.

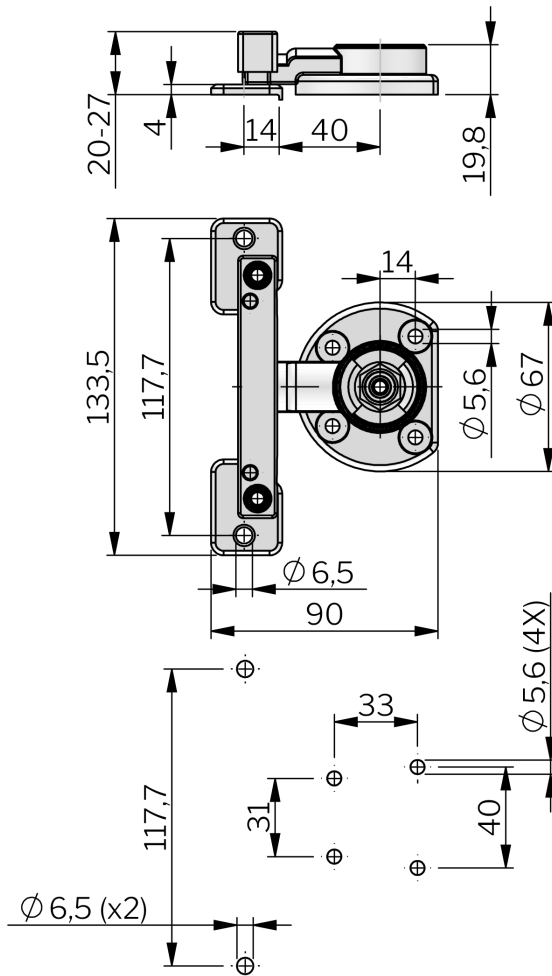


MATERIAL

Base plate: Glass fibre reinforced Polyamid (PA6GF30), black or zinc die cast, zinc plated
Cam: Zinc die cast, zinc plated
Striker and striker plate: Zinc die cast, zinc plated

RELATED PRODUCTS

Handles: 2-310ab, 2-310c
 Use the Index Code at industrilas.com



P/N	Description
265078-D01	With adjustable striker
265078-D01-1	Without striker
265078-D03	With adjustable striker