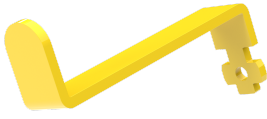


# KLIMA-FLEX 2 SAFETY CATCH



For pressurised HVAC units, the safety catch prevents the door to fly open and accidentally hit the operator when opening the door.

In the Klima-flex 2 system you can combine a safety catch, rod link and/or inside security handle with the inside roller cam.



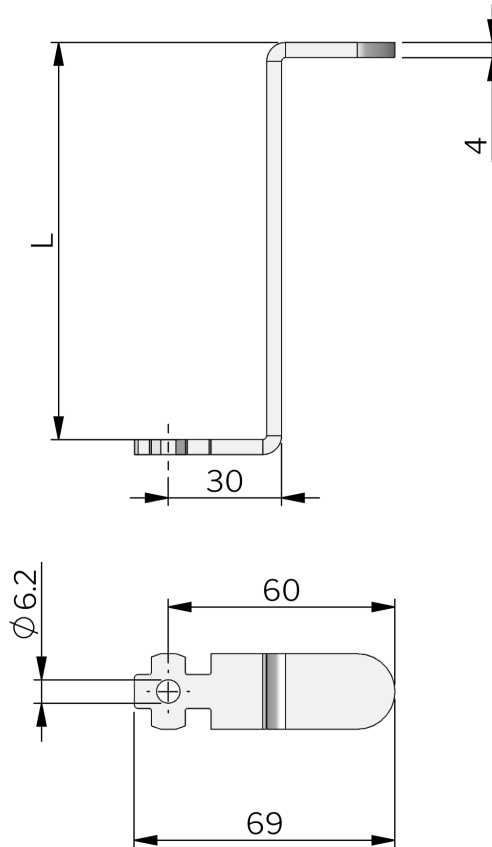
**MATERIAL**

**Safety catch:** Steel with yellow powder coat

**RELATED PRODUCTS**

**Inside options:** 2-315c

Use the Index Code at [industrilas.com](http://industrilas.com)



P/N	Description
2651-901025	L is adapted to fit door thicknesses up to 25 mm
2651-901050	L is adapted to fit door thicknesses between 25-50 mm
2651-901075	L is adapted to fit door thicknesses between 50-75 mm
2651-901100	L is adapted to fit door thicknesses between 75-100 mm

