

KLIMA-FLEX 2 LATCH UNIT



Industrilas Klima-flex™ 2 has patented technology that allows for quick mounting in double-skinned doors. When you turn the screw, expanding legs are engaged and fix both door skins from the inside.

Both inside and outside handles can be mounted onsite and you can add a rod link or safety catch with no changes to the latching unit. The use of roller cams reduces the friction in the latching operation and increase the gasket compression.



MATERIAL

Latching unit: Zinc, zinc plated and glass fibre reinforced Polyamide (PA6GF30), black
Screw: Steel, zinc plated

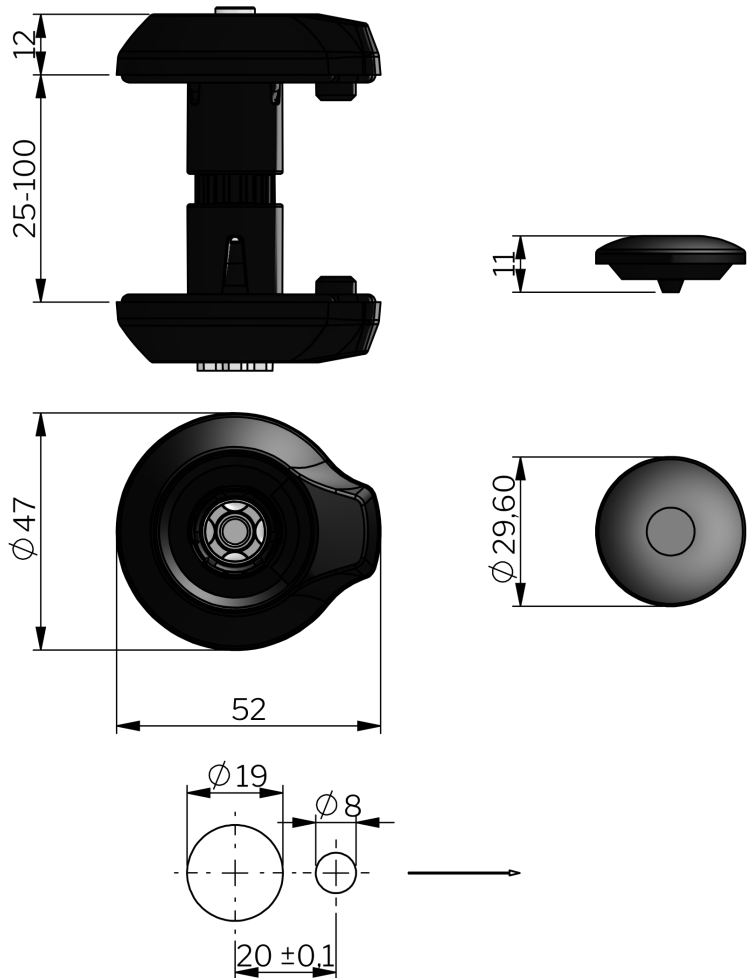
RELATED PRODUCTS

Interlink rods: 2-313a
Handles: 2-315d
Inside options: 2-315f
Cams: 2-315e
 Use the Index Code at industrilas.com

TECHNICAL INFORMATION

Standards: VDI 6022
 Cover plug is used to cover latching point when handle is not used.
 Small hole towards hinge side of door.

Cutout: K-Flex 2



| P/N | Description | Door thickness |
|-------------|------------------|----------------|
| 2651-101025 | K2 latching unit | 25 mm |
| 2651-101030 | K2 latching unit | 30 mm |
| 2651-101035 | K2 latching unit | 35 mm |
| 2651-101043 | K2 latching unit | 43 mm |
| 2651-101045 | K2 latching unit | 45 mm |
| 2651-101050 | K2 latching unit | 50 mm |
| 2651-101060 | K2 latching unit | 60 mm |
| 2651-101070 | K2 latching unit | 70 mm |
| 2651-101075 | K2 latching unit | 75 mm |
| 2651-101095 | K2 latching unit | 95 mm |
| 2651-101100 | K2 latching unit | 100 mm |

Door thickness tolerance $\pm 2,5$ mm.