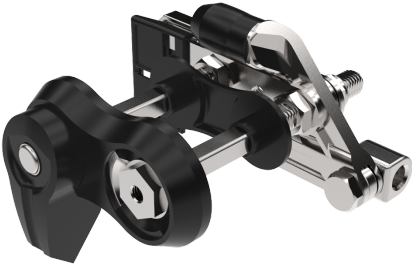


KLIMA-FLEX 1 SAFETY CATCH



The safety catch is used for pressurized HVAC units. To prevent doors from opening up without control, the safety catch secondary cam captures the door while positive air pressure escapes. When the secondary knob is turned, the door is opened safely. When operating the latch during closing, the safety catch automatically resets. The safety catch is compatible with all handles in the Klima-flex 1 system.



MATERIAL

Locking unit: Zinc, zinc plated, steel, zinc plated and glass fibre reinforced Polyamide (PA6GF30), black

Roller cam: Zinc, zinc plated and glass fibre reinforced Polyamid (PA6GF30), black

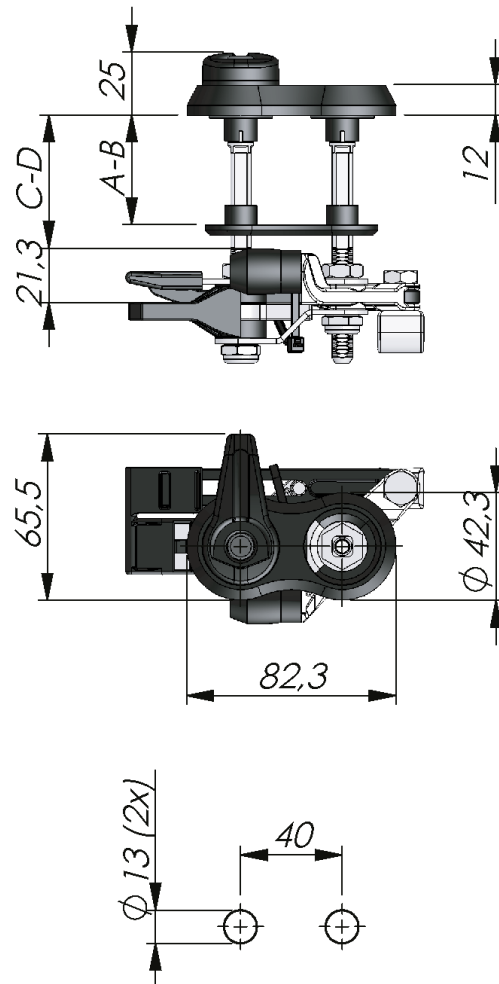
Safety cam: Glass fibre reinforced Polyamide (PA6GF30)

RELATED PRODUCTS

Handles: 2-310ab, 2-310c
Use the Index Code at industrilas.com

TECHNICAL INFORMATION

Standards: VDI 6022



celator

| P/N | Description | A-B Min | A-B Max | C-D Min | C-D Max |
|-------------|---------------|---------|---------|---------|---------|
| 265078-T25H | Right version | 18 | 30 | 32 | 38 |
| 265078-T25V | Left version | 18 | 30 | 32 | 38 |
| 265078-T40H | Right version | 18 | 45 | 47 | 53 |
| 265078-T40V | Left version | 18 | 45 | 47 | 53 |
| 265078-T50H | Right version | 18 | 55 | 57 | 63 |
| 265078-T50V | Left version | 18 | 55 | 57 | 63 |
| 265078-T85H | Right version | 18 | 80 | 82 | 88 |
| 265078-T85V | Left version | 18 | 80 | 82 | 88 |

Products are available on request only.