



KLIMA-FLEX 1 LATCH UNIT

The Klima-flex system is designed for quick and easy mounting in insulated doors. There are two cut-out versions: Combi and K-Flex. Combi is fixed with a spacer nut and K-Flex is fixed with a cam, a regular nut or a starlock washer.

Inside options:

- Unit S50, S100 and SC50 can accommodate all accessories
- Unit M25, M50 and M60 accommodates a cam and can be complemented with an inside handle or a rod link
- Unit G50 and GC50 can accommodate a cam only

Learn more about designing a full Klima-flex system [here](#).



MATERIAL

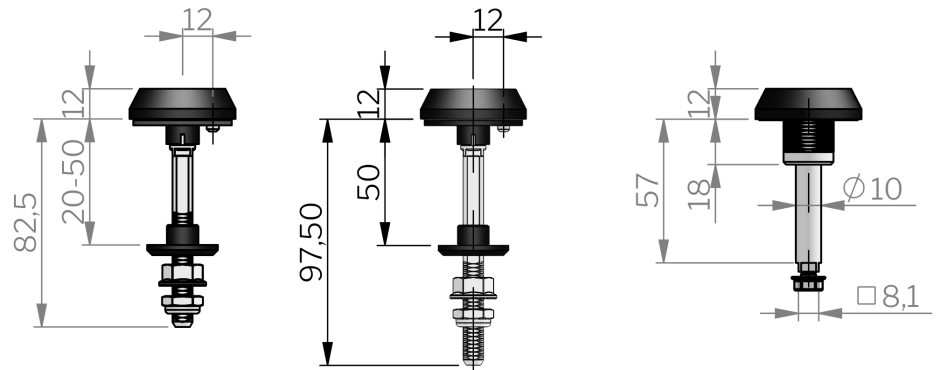
- Collar:** Glass fibre reinforced Polyamide (PA6GF30)
- Housing:** Zinc die cast, zinc plated
- Nut:** Zinc die cast, zinc plated
- Screw:** Steel, zinc plated
- Shaft:** Zinc die cast, zinc plated or steel, zinc plated
- Washer:** Glass fibre reinforced Polyamide (PA6GF30)

RELATED PRODUCTS

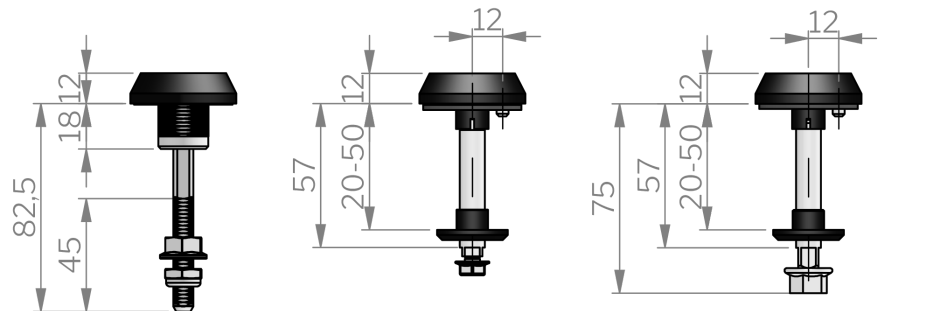
- Handles:** 2-310ab, 2-310c, 2-310d, 2-311ef
 - Other materials:** 2-311cd, 2-311ef
 - Roller cams:** 2-312ab
 - Rod links:** 2-313a, 2-313b
 - Safety catches:** 2-314
 - Accessories:** 2-410
 - Inside options:** 2-312ab, 2-312cd
- Use the Index Code at industrilas.com

TECHNICAL INFORMATION

- Cutout:** COMBI, K-Flex
- Standards:** VDI 6022



265078-S50 265078-S50-G40 265078-GC50

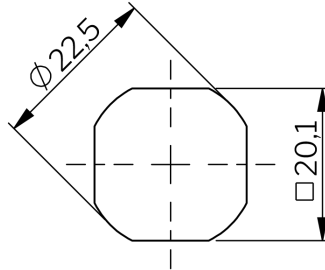


265078-SC50 265078-G50 265078-M50

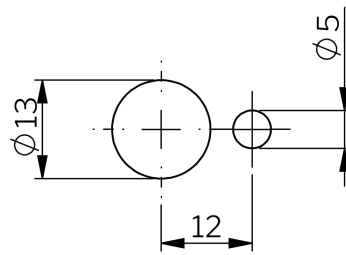


P/N	Description	Cutout	Shaft	Cam	Door thickness
265078-G50	Round shaft	K-Flex	Zinc	Fixed	50 mm
265078-GC50	Round shaft	Combi	Zinc	Fixed	50 mm
265078-M25	Round shaft	K-Flex	Steel	Fixed	25 mm
265078-M50	Round shaft	K-Flex	Steel	Fixed	60 mm
265078-M60	Round shaft	K-Flex	Steel	Fixed	60 mm
265078-S100	Threaded square 8 mm shaft	K-Flex	Steel	Adjustable	100 mm
265078-S25-G40	Threaded square 8 mm shaft	K-Flex	Steel	Adjustable	25 mm
265078-S50	Threaded square 8 mm shaft	K-Flex	Steel	Adjustable	50 mm
265078-S50-G40	Threaded square 8 mm shaft	K-Flex	Steel	Adjustable	50 mm
265078-S60-G40	Threaded square 8 mm shaft	K-Flex	Steel	Adjustable	60 mm
265078-S75-G40	Threaded square 8 mm shaft	K-Flex	Steel	Adjustable	75 mm
265078-SC50	Threaded square 8 mm shaft	Combi	Steel	Adjustable	50 mm

COMBI



K-FLEX



→
Small hole
towards
hinge side
of door