



QUARTER-TURN L-HANDLE 18 MM

Quarter-turn L-handle in locking or non-locking version. Supplied with nut. Protection degree IP65.

The turning rotation may be programmed by setting the turning limiter in the bottom of the housing. This is however not needed when ordering this product assembled with cam.



MATERIAL

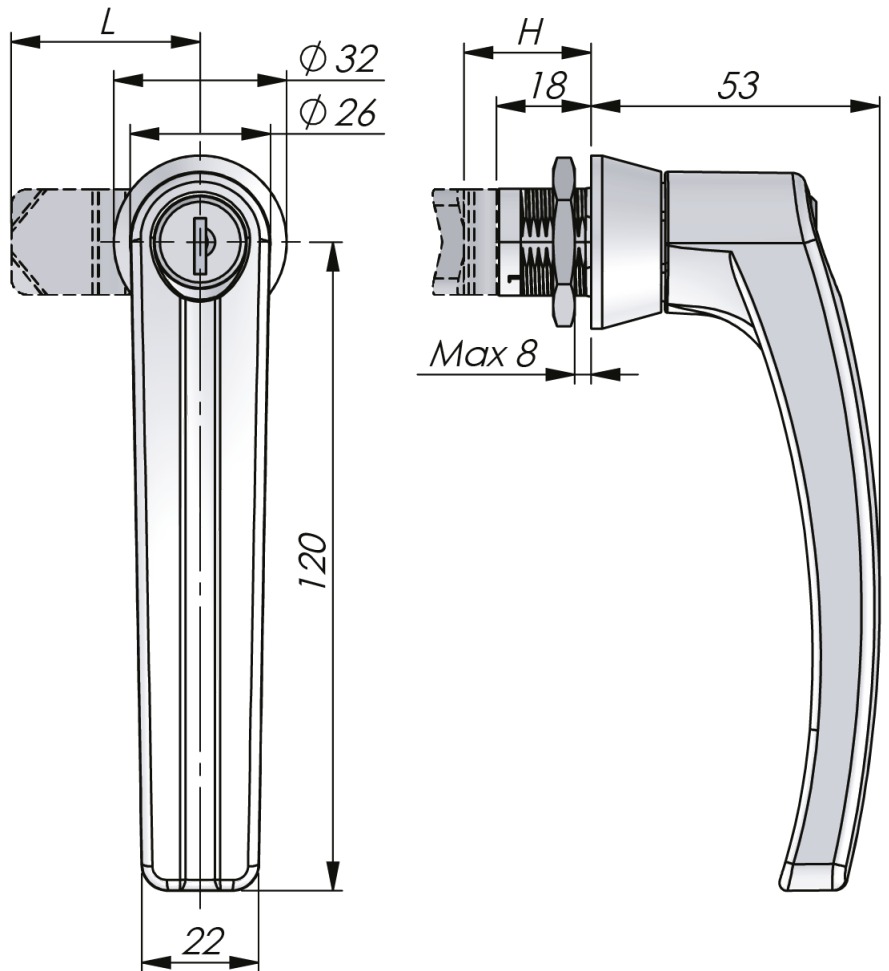
- Cam and screw:** Steel, zinc plated
- Cylinder:** Zinc die cast, stainless steel 304 cap and dust shutter
- Handle:** Zinc die cast, black or silver texture powder coated
- Housing:** Zinc die cast, black or silver texture powder coated
- Nut:** Zinc die cast, zinc plated

RELATED PRODUCTS

- Rod guides:** 2-560, 2-570
 - Rod adapters:** 2-541
 - Cams:** 2-481, 2-491, 2-510, 2-520
 - Rods:** 2-540, 2-541, 2-545
- Use the Index Code at industrilas.com

TECHNICAL INFORMATION

Standards: IP65



celator

Make your selections in each column to create your article number (AAAAAA-B-HHLL)

AAAAAA	Cylinder	Surface treatment	B	Assembly	HHLL	H/L in mm
261905	Non-locking	Silver	1	RH	0000	No cam
261605	Non-locking	Black	2	LH	0445	4 / 45
261906	Keyed alike IL101	Silver			0645	6 / 45
261606	Keyed alike IL101	Black			0845	8 / 45
261907	Keyed alike IL0333	Silver			1045	10 / 45
261607	Keyed alike IL0333	Black			1245	12 / 45
261908	Keyed to differ *	Silver			1445	14 / 45
261608	Keyed to differ *	Black			1645	16 / 45
					1845	18 / 45
					2045	20 / 45
					2245	22 / 45
					2445	24 / 45
					2645	26 / 45
					2845	28 / 45
					3045	30 / 45
					3245	32 / 45
					3445	34 / 45
					3645	36 / 45
					3845	38 / 45
					4045	40 / 45
					4245	42 / 45
					4445	44 / 45
					4645	46 / 45
					4845	48 / 45
					5045	50 / 45

RH = Right hinged door. LH = Left hinged door.

Keyed alike IL101 and IL0333 are supplied with two keys.

* = Master key system on request.

