

EXTERNAL HINGE 180° STAINLESS STEEL



Acid-proof stainless steel 316 external hinge. Universal left and right mounting.

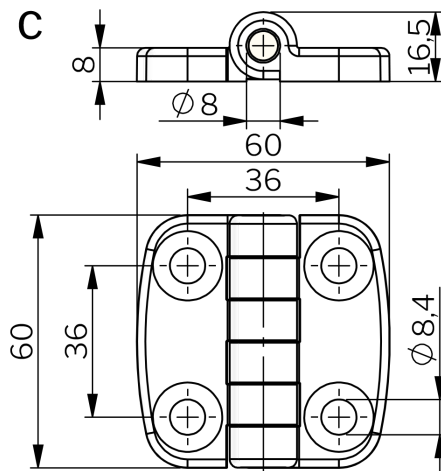
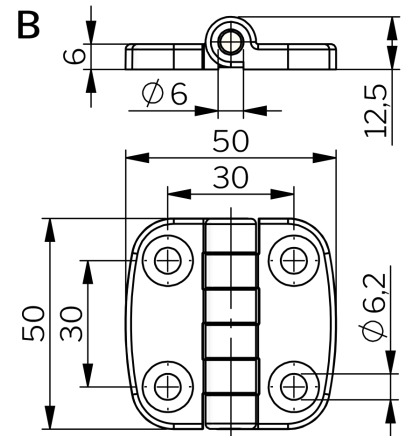
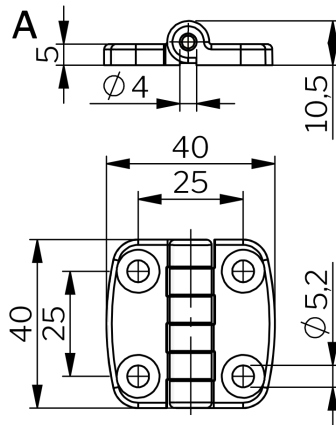


MATERIAL

Hinge: Stainless steel 316

TECHNICAL INFORMATION

Standards: DIN EN 61373



P/N	Dimension W x L	Holes	Drawing
3290-600404-30	40 x 40 mm	4 x Ø 5,2 mm	A
3290-600504-30	50 x 50 mm	4 x Ø 6,2 mm	B
3290-600604-30	60 x 60 mm	4 x Ø 8,4 mm	C
3290-600634-30	50 x 63 mm	4 x Ø 6,2 mm	D
3290-600764-30	50 x 76 mm	4 x Ø 6,2 mm	E

