



COMPRESSION T-HANDLE STAINLESS STEEL

Compression T-handle that is closed and tightened with a single continuous half-turn motion. The first 90° turn moves the cam 90° and the second 90° turn retracts the cam 6 mm.

Available in two latch types: cam mounted at fixed position and cam mounted at an adjustable position. The adjustable version offers an extended, threaded shaft allowing you to place the cam along its entire length. The cam is fixed with counter-nuts.

Protection degree IP69K and waterproof according to NEMA 4. Cams are ordered separately.



MATERIAL

Counter-nuts: Stainless steel 304
Handle: Stainless steel 304
Housing: Stainless steel 304
Nut: Stainless steel 303

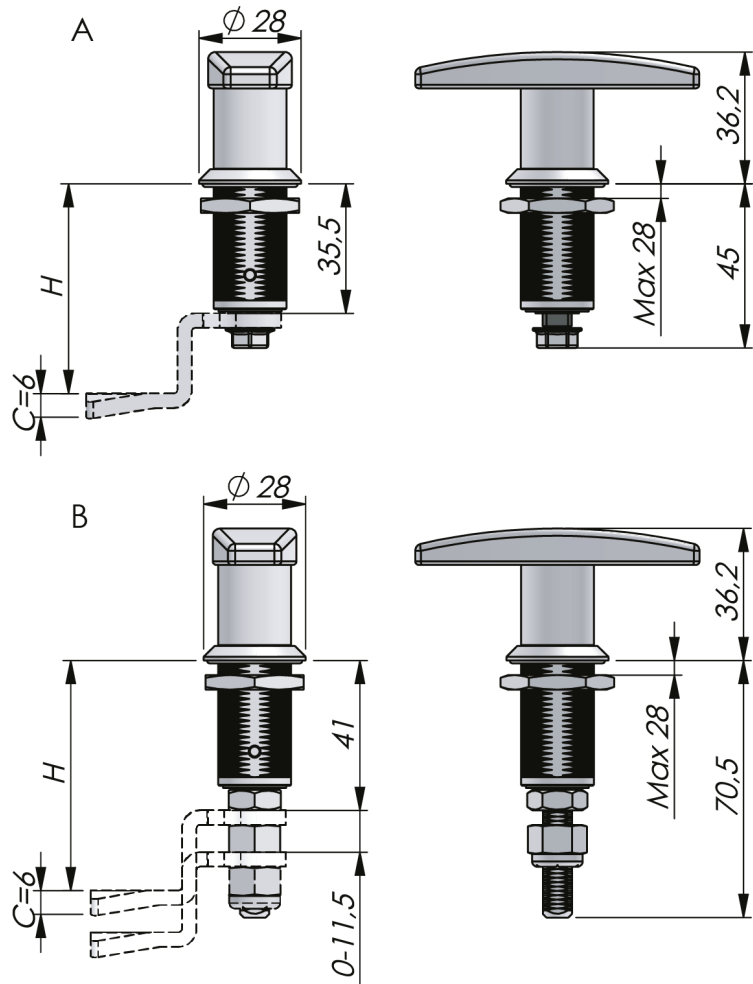
RELATED PRODUCTS

Rods: 2-540, 2-541, 2-545
Rod guides: 2-560, 2-570
Rod adapters: 2-541
Cams: 2-481, 2-491, 2-510, 2-520
 Use the Index Code at industrilas.com

TECHNICAL INFORMATION

Cutout: COMBI
 Protection degree IP69K and classed as Waterproof according to NEMA 4.

Standards: IP69K, NEMA 4, DIN EN 61373



P/N	Description	Drawing
243087-500	Fixed	A
243089-500	Adjustable	B



