



QUARTER-TURN HYGIENE LATCH STAINLESS STEEL 18 MM

This quarter-turn latch is corrosion resistant and manufactured to achieve hygiene requirements according to ISO 14159. The latch has smooth, curved surfaces and is manufactured from non-absorbent materials to simplify cleaning and disinfecting. It may thus be used in clean room environments or applications in industries that process food, pharmaceuticals, biotechnology, cosmetics and similar.

Sealed according to IP69K and waterproof according to NEMA 4.

Universal left and right mounting.



MATERIAL

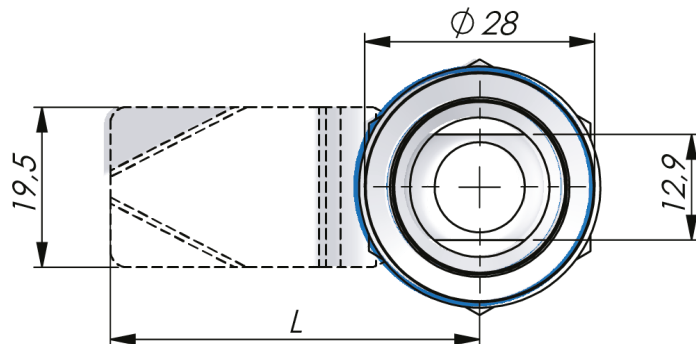
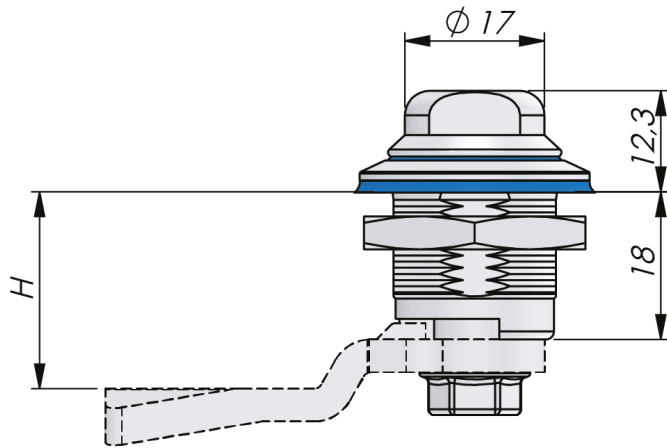
Cam: Stainless steel 304 or 316
Housing: Stainless steel 303 or 316
Insert: Stainless steel 303 or 316
Nut: Stainless steel 303
Sealing: INDUPUR 95A, RAL 5002

RELATED PRODUCTS

Cams: 2-480
Keys: 2-370
 Use the Index Code at industrilas.com

TECHNICAL INFORMATION

Standards: IP69K, NEMA 4, DIN EN ISO 14159, DIN EN 1672-2, UL50E



Make your selections in each column to create your article number (AAAA-AAAAAA-HHLL)

AAAA-AAAAAA	Description	HHLL	H/L in mm
2023-301353	Quarter-turn latch from stainless steel 303	0000	No cam
2029-901959	Quarter-turn latch from stainless steel 316	0445	4 / 45
		0645	6 / 45
		0845	8 / 45
		1045	10 / 45
		1245	12 / 45
		1445	14 / 45
		1645	16 / 45
		1845	18 / 45
		2045	20 / 45
		2245	22 / 45
		2445	24 / 45
		2645	26 / 45
		2845	28 / 45
		3045	30 / 45
		3245	32 / 45
		3445	34 / 45
		3645	36 / 45
		3845	38 / 45
		4045	40 / 45
		4245	42 / 45
		4445	44 / 45
		4645	46 / 45
		4845	48 / 45
		5045	50 / 45

