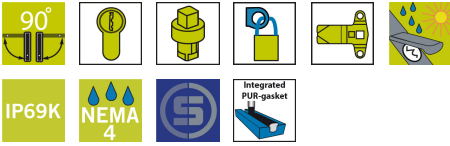


VISION SWING HANDLE STAINLESS STEEL



Low profile swing handle in acid-proof stainless steel 316. Designed for 40 mm profile cylinder or supplied with tool operated insert. Available in turn-to-latch version where the door is locked by turning the key.



MATERIAL

Handle: Stainless steel 316

RELATED PRODUCTS

Rod latch systems: 1-008.51, 2-540, 2-541

Keys: 2-372, 2-370

Similar products: 6-010

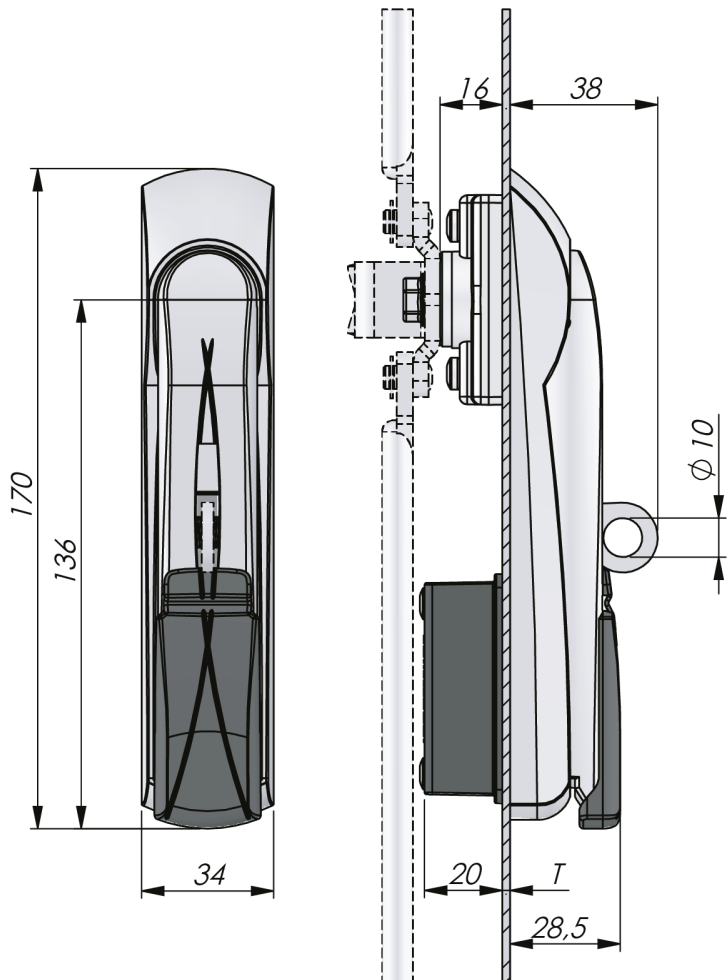
Cylinders: 1-209, 1-210

Use the Index Code at industrilas.com

TECHNICAL INFORMATION

Standards: IP69K, NEMA 4

Cutout: Version C



Make your selections in each column to create your article number (AAAAAABCD-EEEE)

AAAAAA Material	B Opening rotation	C Door thickness T	D PDL	EEE Insert / Cylinder	E Dust cover
123031 Stainless steel 316	1 90° clockwise or counter-clockwise	1 0,8 - 1,5 mm	0 No	C01 Hexagon 11	U No
		2 1,6 - 2,5 mm	1 Yes	C47 Recessed hexagon 8 / 3 mm pin	D Yes
	3 2,6 - 3,5 mm	C41 Recessed slot			
	2 90° counter-clockwise		C60 Profile cylinder		
	3 90° clockwise				

PDL = Spring loaded padlock loop retracts when handle is released.

Version C

