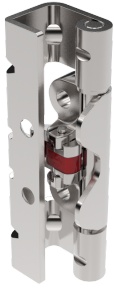


CONCEALED LIFT OFF CLICK HINGE STANDARD 120°



Concealed hinge with a patented function that enables the door part to be engaged to, or separated from the frame part with a "click".

Easy door assembly by placing the door in the frame parts and then closing the door. The door part and frame part snap together. Secure the hinge by latching the red safety cam.

The frame part is mounted with screws and the door part is mounted on weld-on studs. Universal right and left mounting. Opening angle 120°.



MATERIAL

Safety catch:

Door part: Zinc die cast, zinc plated

Frame part: Steel, zinc plated

Pin: Stainless steel 303

Safety cam: Glass fibre reinforced Polyamide (PA6GF30)

Washer: Brass

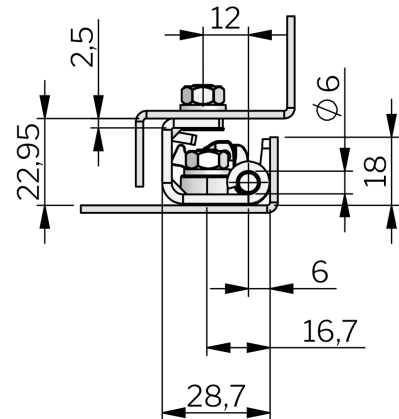
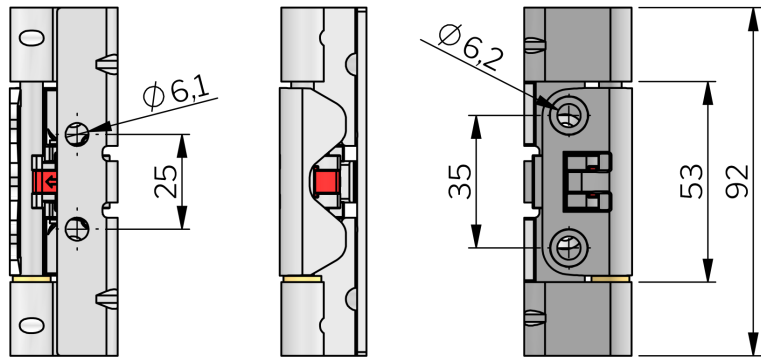
RELATED PRODUCTS

Similar products: 3-091, 3-096, 3-090, 3-095

Use the Index Code at industrilas.com

TECHNICAL INFORMATION

Standards: DIN EN 61373



P/N	Description	Hole spacing
311117	Standard	40 mm
312121	Standard	25 mm



