

MANIJA DE ELEVACIÓN VISION LIFT



La manija de elevación Vision Lift, patente en trámite, funciona con todos los sistemas de cierre Vision. La manija está disponible con botón pulsador, inserto accionado con llave-herramienta, cilindro redondo con llave de diferente combinación / combinación idéntica o preparado para un cilindro de perfil de 40 mm o cilindro ovalado. La manija es accionada por un resorte y se levanta cuando se desbloquea o se presiona el botón. Como el mecanismo de bloqueo no forma parte de la manija, es muy cómodo de manejar.

Los cilindros y los insertos están protegidos por una cubierta deslizante antipolvo. Es resistente al agua según normas IP65 y NEMA 4.

MATERIAL

Dish: Glass fibre reinforced polyamide (PA6GF30)

Handle: Zinc die cast, chrome plated or black texture powder coated

Insert: Stainless steel 303 or stainless steel 316

Pivot shaft: Stainless steel 316

RELATED PRODUCTS

Rod latch systems: 1-008.04, 1-008.05, 1-008.21, 1-008.25, 1-008.07

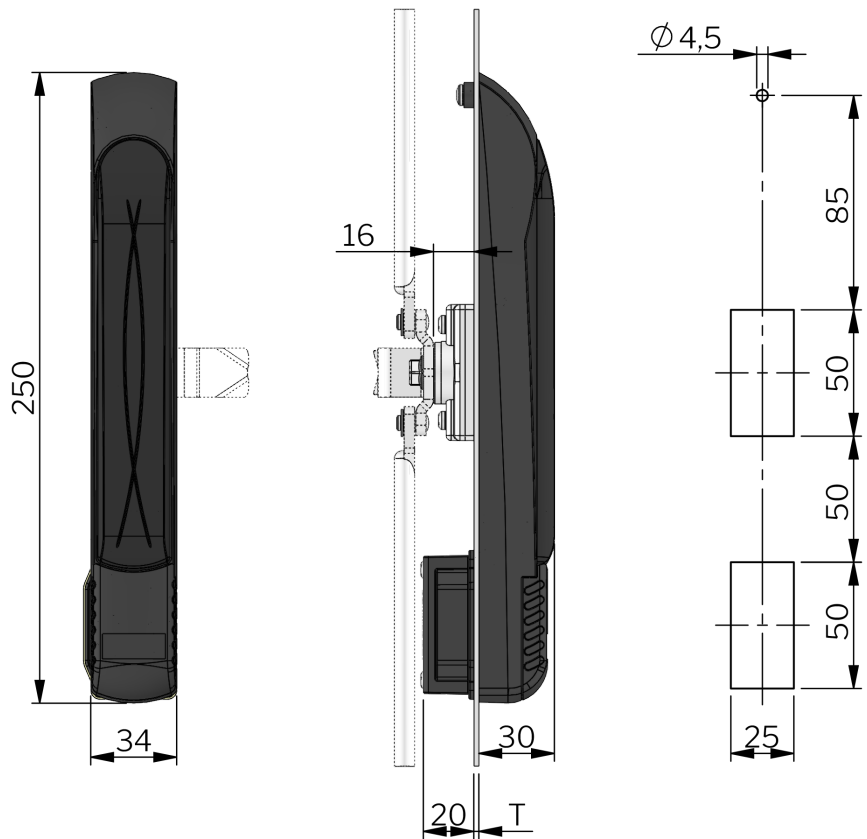
Cylinders: 1-209, 1-210, 1-211, 1-010

Use the Index Code at industrilas.com

TESTS & STANDARDS

The lift handle fits into a cut out similar to Version C, but with an additional $\varnothing 4,5$ mm hole on top. Suitable for door thickness 0,8-3,5 mm. When viewed from the outside, the right hinged version has a pivot shaft that rotates counter-clockwise when opening. The left hinged version rotates clock-wise when handle is opened.

Classifications: IP65, NEMA 4



celator

Make your selections in each column to create your article number (AAAA-BBCDEF-GG)

AAAA Type		BB Insert / Cylinder		C Surface treatment insert	D Protection degree	E Surface treatment handle	F Model	GG		
1510	Flat rod system	01	Square 6	For cylinder and push-button versions	5	IP65	0	For right hinged door	00	
		03	Square 7				6	Black powder coated		
1511	Cam and round rod system	05	Square 8	2 Chrome plated 6 Black powder coated			9	Silver powder coated	1	For left hinged door
		07	Square 8 / slotted							
		11	Square 8 / Recessed							
		14	Triangle 7							
		15	Triangle 8							
		16	Triangle 10							
		22	Double bit 3							
		24	Double bit 5							
		26	Slotted							
		29	Slotted, Recessed							
		32	Hexagon 11							
		34	Recessed Hexagon 8							
		35	Recessed Hexagon 10							
		36	Recessed Hex 8 / 3 mm pin							
		80	Keyed to Differ							
		81	Keyed alike IL101							
		82	Keyed alike IL0333							
83	For profile cylinder									
84	For Oval Cylinder									
90	Push Button									

