

VECTOR P ROTARY LATCH



Vector P Rotary Latch is a patented heavy-duty, vibration-resistant solution that has been designed for on- and off-road vehicles. The latching mechanism engages the striker in two steps, providing the extra safety needed. When closed, the latch can withstand a pull force of 225 kg. Equipped with emergency inside release, powder coated in red.

It is available with left, right or universal grip handle and is installed with a mounting bracket or four moulded-in bolts. IP66 water- and dust sealing.



MATERIAL

Body, grip handle and adapter for cylinder (internal component): Glass fibre reinforced polyamide (PA6GF30)

Cylinder: Zinc die cast, stainless steel 304 cap and dust shutter

Manoeuvre arms: Zinc die cast, zinc plated

Mounting bracket, mould-in bolts, maneuver mechanism and striker used inside sealed area: Steel, zinc plated

Nut: Steel, zinc plated

O-ring: NBR

PUR-gasket: Polyurethane

RELATED PRODUCTS

Similar products: 2-831

Accessories: 2-412

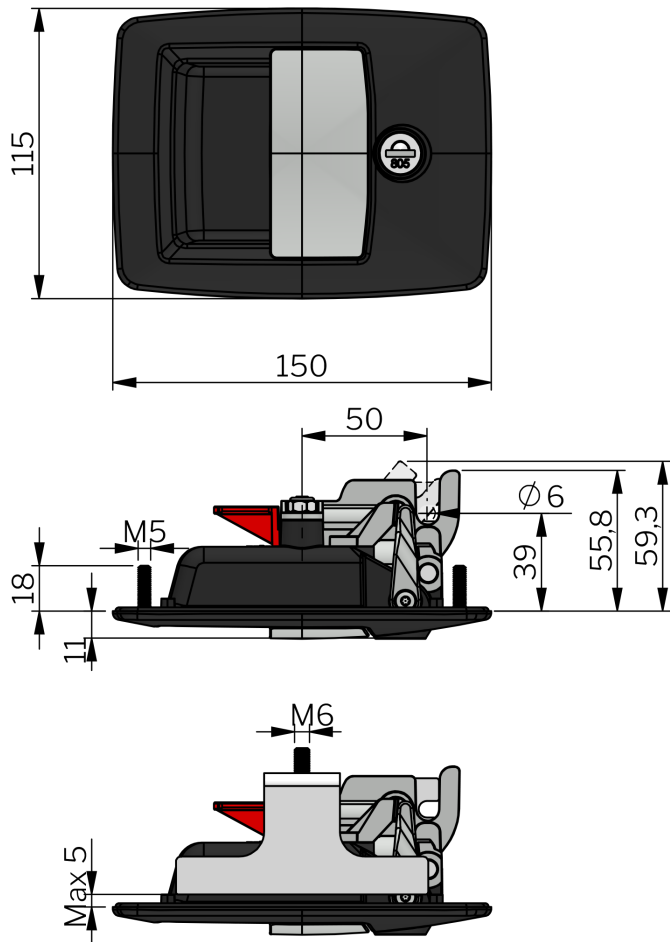
Use the Index Code at industrilas.com

TECHNICAL INFORMATION

The tightening torque of the two nuts for the mounting bracket is 3,0 Nm. The tightening torque of the four nuts for the mould-in bolts is 2,2 Nm. It is important that the four holes made in the cut out for the mould-in bolts are within tolerance, to avoid damage when tightening the M5 nuts.

Standards: IP66, DIN EN 61373

Cylinder information: Cylinder with other key codes on request, Supplied with two keys



celator

Make your selections in each column to create your article number (AAAA-BBCDDE-FFGG)

AAAA Type	BB Handle	Material	C Mounting	DD Cam	E Type	FF Cylinder	GG Striker	H	L
2800 VECTOR - Paddle	00 Universal	PA6	1 Mould-in bolts	05 Rotary	0 Standard	01 Keyed alike 805	00 No	-	-
	01 Universal	Zinc die cast, chrome plated	2 Mounting bracket			01 Yes	16	55	
	02 Universal	Zinc die cast, black				02 Keyed alike 455			
	10 Left	PA6				03 Keyed to differ			
	20 Right	PA6				06 Keyed alike CH751			
						69 Keyed alike 810			
						70 Keyed alike 815			
						71 Keyed alike 820			
						72 Keyed alike 825			
						73 Keyed alike 830			
			74 Keyed alike 835						
			75 Keyed alike 840						
			76 Keyed alike 845						
			77 Keyed alike 850						

