

LEVA CON GANCHO VECTOR P



Esta cerradura de pala patentada de alta resistencia está disponible con mango de agarre izquierdo, derecho o universal. El mecanismo de enclavamiento bloquea de forma segura la leva detrás del cerradero y cuanto más fuerza se ejerza sobre la leva, más fuerte será el enclavamiento del cerradero; Se instala con un soporte de montaje o con cuatro pernos moldeados. IP66 estanqueidad al agua y al polvo. Equipado con cilindro 805 con llave de serie. Extracción con llave: abierta/cerrada

Disponible con la función de seguridad de desbloqueo interior. Esto permite abrir el pestillo desde el interior incluso cuando está bloqueado;



MATERIAL

Adapter for cylinder (internal component):

Glas fibre reinforced polyamide (PA6GF30)

Body: Zinc die cast, black or silver texture powder coated

Cam: Steel, zinc plated or unplated

Cast-in bolts: Steel, zinc plated

Cylinder: Brass, nickel plated in matt finish

Gaskets: Polyurethane

Handle: Zinc die cast, silver grey coated

Manoeuver arms: Zinc die cast, zinc plated

Mounting bracket: Steel, zinc plated

Nut: Zinc die cast, chrome

O-ring: NBR

Striker: Zinc die cast, zinc plated or black powder coated

RELATED PRODUCTS

Similar products: 2-834

Accessories: 2-412

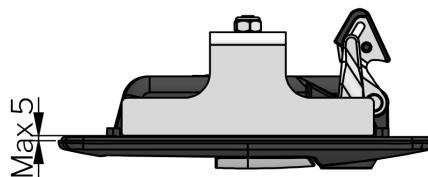
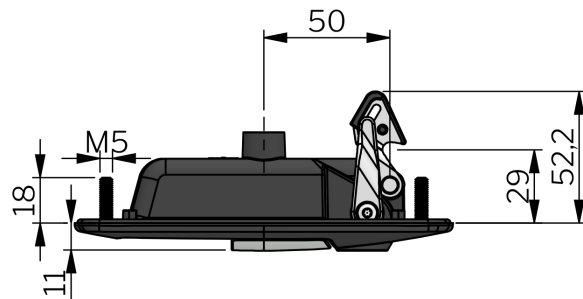
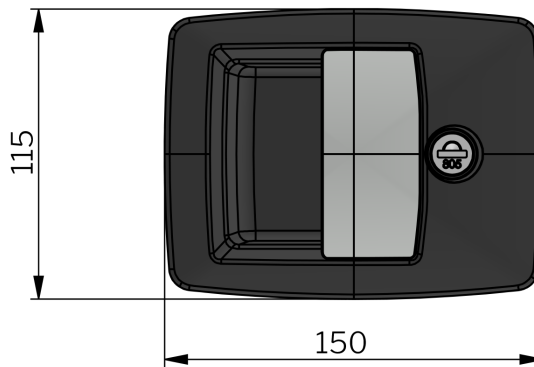
Use the Index Code at industrilas.com

TESTS & STANDARDS

The tightening torque of the two nuts for the mounting bracket is 3,0 Nm. The tightening torque of the four nuts for the mould-in bolts is 2,2 Nm. It is important that the four holes made in the cut out for the mould-in bolts are within tolerance, to avoid damage when tightening the M5 nuts.

Classifications: IP66, DIN EN 61373

Cylinder information: Cylinder with other key codes on request, Supplied with two keys



Make your selections in each column to create your article number (AAAA-BBCDDE-FFGG)

AAAA Type	BB Handle	Material	C Mounting	DD Cam	E Type	FF Cylinder	GG Striker	H	L
2800 VECTOR - Paddle	00 Universal	PA6	1 Mould-in bolts	02 Fixed cam to prevent inside opening	0 Standard	01 Keyed alike 805	00 No	-	-
		Zinc die cast, chrome plated	2 Mounting bracket	03 Cam with inside safety release		02 Keyed alike 455	01 Yes	16	55
	01 Universal					03 Keyed to differ			
	02 Universal	Zinc die cast, black				06 Keyed alike CH751			
	10 Left	PA6				69 Keyed alike 810			
	20 Right	PA6				70 Keyed alike 815			
						71 Keyed alike 820			
						72 Keyed alike 825			
						73 Keyed alike 830			
						74 Keyed alike 835			
				75 Keyed alike 840					
				76 Keyed alike 845					
				77 Keyed alike 850					

