

VECTOR T2 HANDLE



The heavy-duty Vector T2 Handle is designed to be used on flat sheet metal. The handle can be turned 180° left and right and has a 4 mm compression. You can use fixed or adjustable cams with a grip range of 17–52 mm, and all cams can be used for 2- or 3-point latching systems. Installation is swift with a mounting bracket.

Delivered with a keyed alike cylinder and stainless-steel dust shutter. Protection according to IP65. To adapt to other key combinations, choose delivery with unassembled cylinder.

Dust and water protected according to IP65.



MATERIAL

- Adjustable cam:** Zinc die cast, passivated
- Assembly hardware:** Steel, zinc plated
- Body:** Glass fibre reinforced polyamide (PA6GF30)
- Cast-in bolts:** Steel, zinc plated
- Cylinder:** Zinc die cast, stainless steel 304 cap and dust shutter
- Fixed cam:** Steel, zinc plated
- Handle:** Zinc die cast, chrome plated or black texture powder coated
- Mounting bracket:** Steel, zinc plated
- Nut:** Steel, zinc plated
- Roller:** Glass fibre reinforced polyamide (PA6GF30)

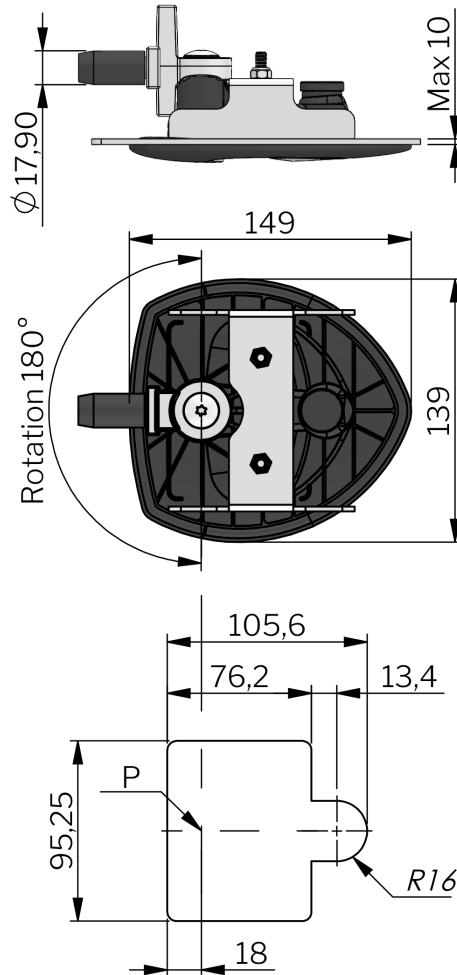
RELATED PRODUCTS

- Similar products:** 2-800, 2-810, 2-815, 2-811
 - Rods:** 2-540, 2-541, 2-545
 - Rod guides:** 2-560, 2-570
 - Rod adapters:** 2-541
- Use the Index Code at industrilas.com

TECHNICAL INFORMATION

The tightening torque of the two nuts for the bracket is 3 Nm.

- Cylinder information:** Cylinder with other key codes on request, Supplied with two keys
- Standards:** IP65, DIN EN 61373



Make your selections in each column to create your article number (AAAA-BBBCC-DDDDD)

AAAA Type	BBB Handle material, finish	CC Cylinder	DDDDD Cam	H=	L=	Drawing			
2751 Vector 2	102 Zinc die cast, chrome plated	00 Non-locking	1861 Fixed one-point cam	18	61	C			
		82 Keyed alike 21	2361 Fixed one-point cam	23	61	C			
	106 Zinc die cast, black powder coated			4661 Fixed one-point cam	46	61	C		
				4861 Fixed one-point cam	48	61	C		
				5361 Fixed one-point cam	53	61	C		
				S4600 Two-point cam	-	-	D		
				S Adjustable three-point cam	17-65	65	B		
				S1 Adjustable one-point cam	17-52	65	A		

Other cam dimensions on request.

